

VOR/DME RWY 13C

VORTAC DLF 114.4 Chan 91	APCH CRS 118°	Rwy Idg TDZE Arpt Elev 8852 1082 1082
--	-------------------------	---

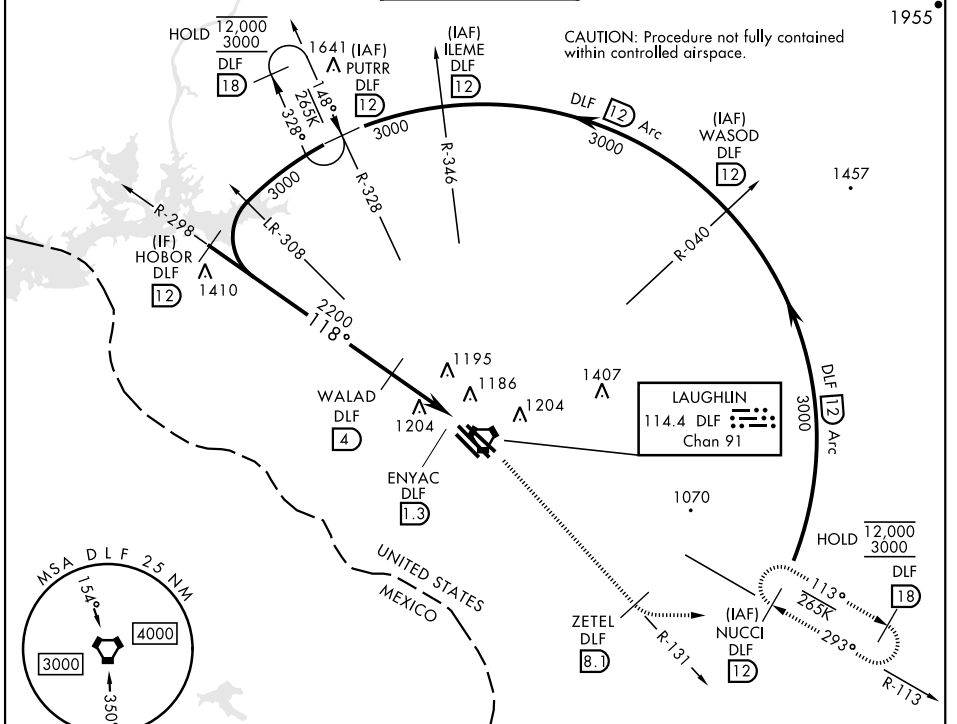
[USAF]

LAUGHLIN AFB (KDLF)

▼* When ALS inop, increase CAT AB RVR to 55 and vis to 1 mile, CAT CDE RVR to 60 and vis to 1 1/8 miles.
 ** Circling not authorized in sector SW of Rwy 13R-31L.

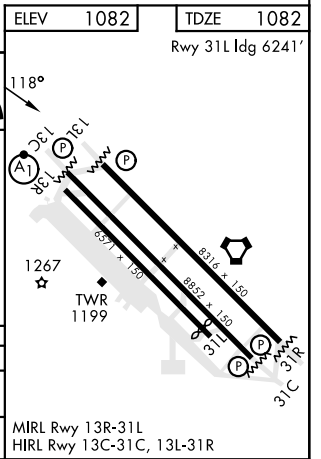
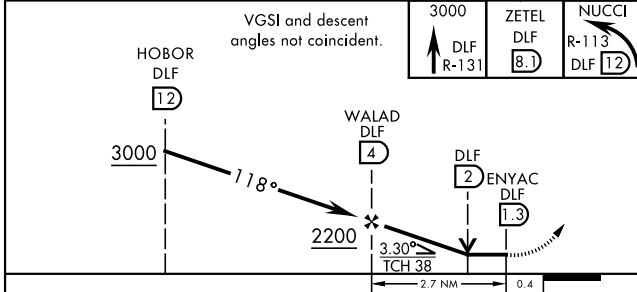
ALSF-1 MISSED APPROACH: Climb to 3000 on DLF VORTAC R-131 to 8.1 DME (ZETEL), then turn left to intcp DLF R-113 to 12 DME (NUCCI) and hold.

ATIS ★ 114.4 269.9	DEL RIO APP CON 119.6 259.1	TOWER ★ 125.2 307.375	GND CON 275.8	CLNC DEL 120.5 335.8
------------------------------	---------------------------------------	---------------------------------	-------------------------	--------------------------------



ELEV 1082	TDZE 1082
-----------	-----------

Rwy 31L Idg 6241'



CATEGORY	A	B	C	D	E
S-13C *	1480/24 398 (400-1/2)		1480/40	398	(400-3/4)
CIRCLING **	1500-1 418 (500-1)	1540-1 458 (500-1)	1700-1 3/4 618 (700-1 3/4)	1700-2 618 (700-2)	1740-2 1/4 658 (700-2 1/4)

MRL Rwy 13R-31L
HRL Rwy 13C-31C, 13L-31R

VOR/DME RWY 13C

SC-3, 16 APR 2026 to 14 MAY 2026

SC-3, 16 APR 2026 to 14 MAY 2026