

VOR/DME LWT <b>115.45</b> Chan <b>101(Y)</b>	APP CRS <b>075°</b>	Rwy Ldg <b>6100</b> TDZE <b>4129</b> Apt Elev <b>4170</b>
--	------------------------	---

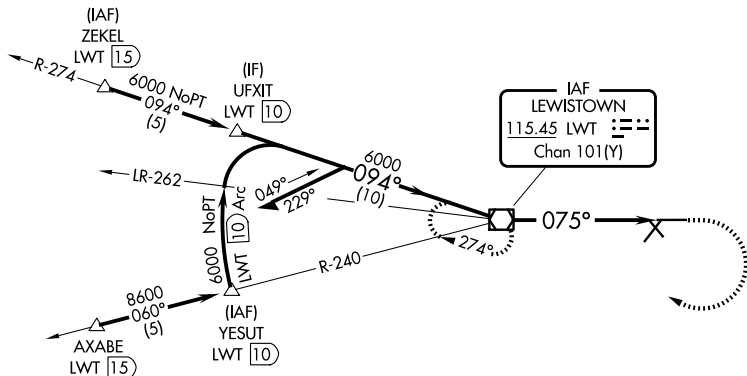
# VOR RWY 8

LEWISTOWN MUNI (LWT)

**▽**  
**▲**

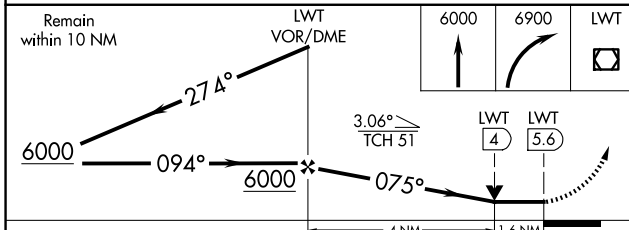
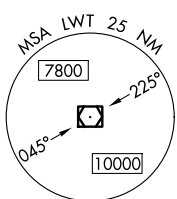
MISSED APPROACH: Climb to 6000 then climbing right turn to 6900 direct LWT VOR/DME and hold.

ASOS <b>118.375</b>	SALT LAKE CENTER <b>133.4 285.4</b>	UNICOM <b>123.0 (CTAF) ①</b>
------------------------	--	---------------------------------

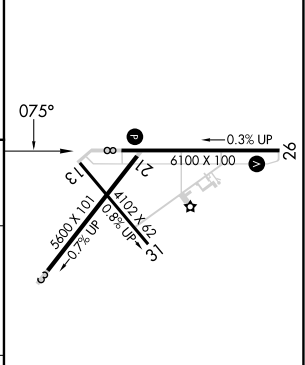


NW-1, 16 APR 2026 to 14 MAY 2026

NW-1, 16 APR 2026 to 14 MAY 2026



ELEV 4170	<b>D</b> TDZE 4129
-----------	--------------------



CATEGORY	A	B	C	D
S-8	4680-1	551 (600-1)	4680-1 5/8	551 (600-1%)
CIRCLING	4680-1 510 (600-1)	4820-1 650 (700-1)	4980-2 1/4 810 (900-2 1/4)	5240-3 1070 (1100-3)

REIL Rwy 8 and 26 ①  
MIRL Rwy 8-26 and 13-31 ①

FAF to MAP 5.6 NM

Knots	60	90	120	150	180
Min:Sec	5:36	3:44	2:48	2:14	1:52