

WAAS CH <b>86421</b> <b>W28A</b>	APP CRS <b>282°</b>	Rwy Idg <b>4184</b> TDZE <b>430</b> Apt Elev <b>437</b>
--	------------------------	---

# RNAV (GPS) RWY 28

MACON DOWNTOWN (MAC)

RNP APCH-GPS.

**⚠** Baro-VNAV NA. Rwy 28 helicopter visibility reduction below  $\frac{3}{4}$  SM NA.  
**⚠** NA Use Middle Georgia altimeter setting, when not received, use Robbins AFB altimeter setting and increase LPV DA to 726 feet, increase LNAV/VNAV DA to 1063 feet and increase all MDAs 20 feet.

MISSED APPROACH: Climb to 3000 direct HAVIM and hold.

MCN ASOS

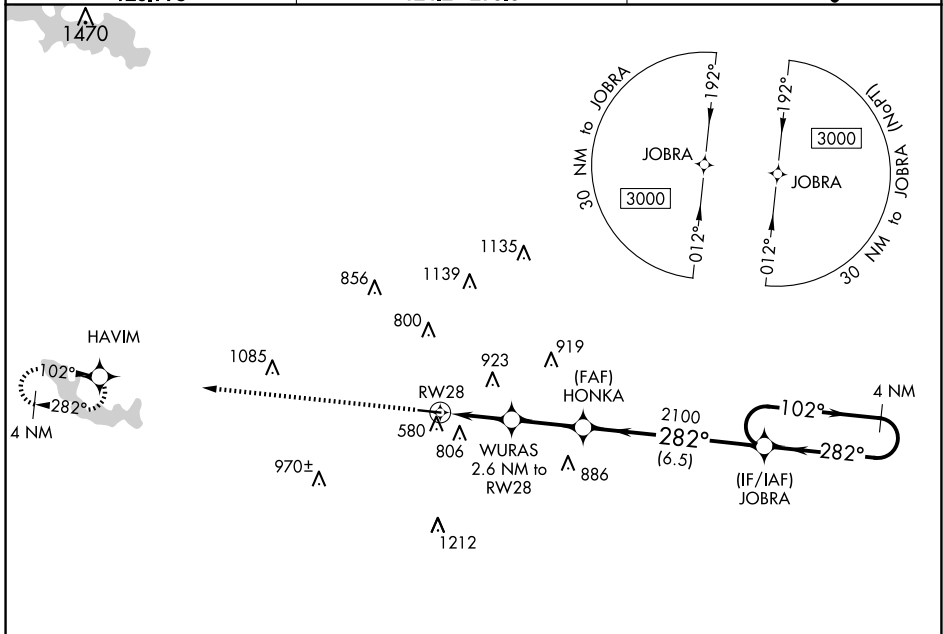
**120.775**

ATLANTA APP CON\*

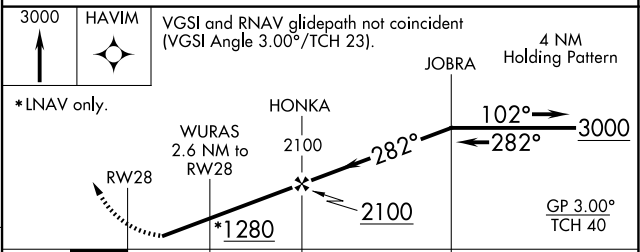
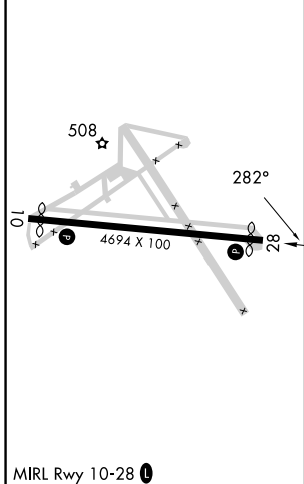
**124.2 279.6**

UNICOM

**123.0 (CTAF) **U****



ELEV <b>437</b>	<b>D</b>	TDZE <b>430</b>
-----------------	----------	-----------------



CATEGORY	A	B	C	D
LPV DA		712-1	282 (300-1)	
LNAV/VNAV DA		1049-2½	619 (700-2½)	
LNAV MDA	980-1	550 (600-1)	980-1½	550 (600-1½)
<b>C</b> CIRCLING	1200-1	763 (800-1)	1320-2¾ 883 (900-2¾)	1480-3 1043 (1100-3)

SE-4, 16 APR 2026 to 14 MAY 2026

SE-4, 16 APR 2026 to 14 MAY 2026