

SUMTER, SOUTH CAROLINA

TACAN Y RWY 22R

TACAN SSC Chan 38	APCH CRS 222°	Rwy Ldg TDZE Arprt Elev	22R 10,014 240 241	22L 8014 235 241
-----------------------------	-------------------------	-------------------------------	--	--

[USAF]

SHAW AFB (KSSC)

RADAR required when R-6002 active.

ALSF-1

MISSED APPROACH: Climbing to 2000, intercept SSC TACAN R-223 to PINIE and hold.

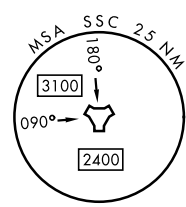
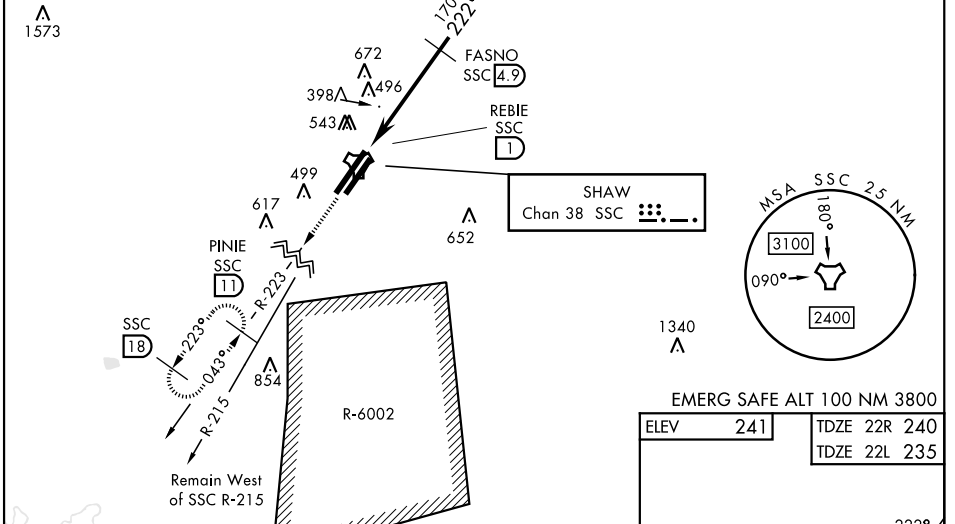
ATIS* 132.125 270.1	APP CON* 125.4 318.1	TOWER* 126.65 254.25	GND CON 126.1 275.8
-------------------------------	--------------------------------	--------------------------------	-------------------------------

** When ALS inop, increase CAT AB RVR to 55, vis to 1 mile; CAT CDE vis to 1 1/2 miles.

Sidestep Rwy 22L: Terrain 239' MSL, 200' prior to threshold, 200' right of course. When VGSI inop, sidestep procedure NA at night.

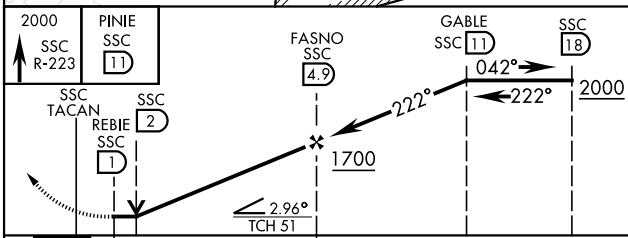
CAUTION: When Rwy 4L, 22L VGSI inop, circling to Rwy 4L, 22L NA at night. Terrain 239' MSL, 200' prior to threshold, 200' left of centerline.

USAF Only: When Rwy 22L VGSI inop, sidestep or circling to Rwy 22L authorized at night with MAJCOM A3 approval.

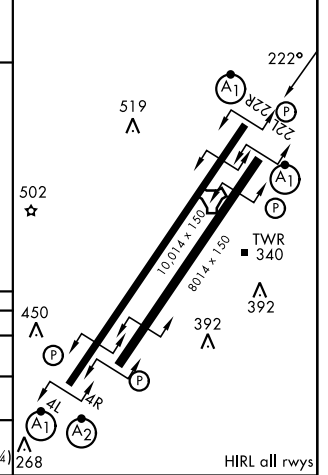


EMERG SAFE ALT 100 NM 3800

ELEV	241	TDZE 22R	240
		TDZE 22L	235



CATEGORY	A	B	C	D	E
S-22R*	760/24	520 (600-1/2)	760/55	520 (600-1)	
SIDESTEP ** 22L	760/50	505 (600-1)	760/55	505 (600-1)	
CIRCLING	820-1 579 (600-1)	880-1 639 (700-1)	1000-2 1/4 759 (800-2 1/4)	1000-2 1/2 759 (800-2 1/2)	1000-2 3/4 759 (800-2 3/4)



SE-2, 16 APR 2026 to 14 MAY 2026

SE-2, 16 APR 2026 to 14 MAY 2026

SUMTER, SOUTH CAROLINA
Amdt 1 07NOV19

33° 58' N-80° 28' W

SHAW AFB (KSSC)

TACAN Y RWY 22R