

WAAS CH 78205 W17A	APP CRS 174°	Rwy Ldg TDZE Apt Elev	7105 2878 2885
---------------------------------	------------------------	-----------------------------	---

RNAV (GPS) RWY 17

LIBERAL MID-AMERICA RGNL (L.B.L.)

RNP APCH - GPS.

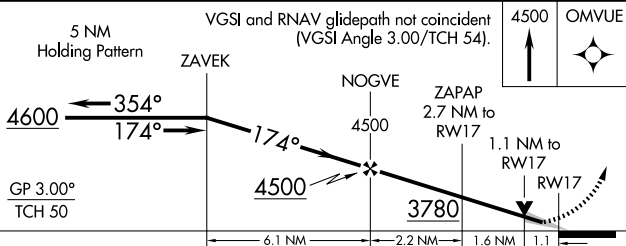
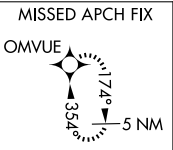
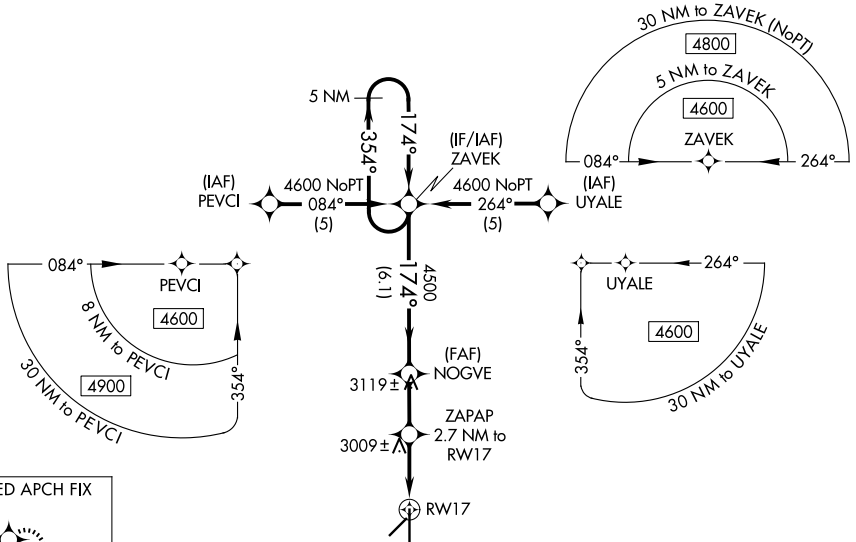
⚠ For uncompensated Baro-VNAV systems, LNAV/VNAV NA below -20°C or above 54°C. Circling NA east of Rwy 17-35. When local altimeter setting not received, use GUY altimeter setting and increase LPV DA 3240 feet; increase LNAV/VNAV DA to 3432 feet and all visibilities ¼ SM. Increase all MDAs 120 feet and LNAV visibility Cat C/D ¼ SM, and Circling visibility Cat C/D ¼ SM. Baro-VNAV and VDP NA when using GUY altimeter setting.

MISSED APPROACH: Climb to 4500 direct OMVUE and hold.

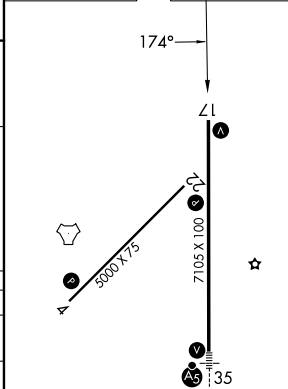
AWOS-3PT
118.375

KANSAS CITY CENTER
134.0 257.625

UNICOM
122.8 (CTAF) 0



ELEV 2885 TDZE 2878



CATEGORY	A	B	C	D
LPV DA		3128-1	250 (300-1)	
LNAV/VNAV DA		3320-1 ³ / ₈	442 (500-1 ³ / ₈)	
LNAV MDA	3260-1	382 (400-1)	3260-1 ¹ / ₈	382 (400-1 ¹ / ₈)
CIRCLING	3320-1 435 (500-1)	3360-1 475 (500-1)	3400-1 ¹ / ₂ 515 (600-1 ¹ / ₂)	3640-2 ¹ / ₂ 755 (800-2 ¹ / ₂)

REIL Rwys 4, 17 and 22 0
MIRL Rwy 4-22 0
HIRL Rwy 17-35 0

NC-2, 16 APR 2026 to 14 MAY 2026

NC-2, 16 APR 2026 to 14 MAY 2026