

WAAS CH <b>45813</b> <b>W35B</b>	APP CRS <b>005°</b>	Rwy Ldg <b>10000</b> TDZE <b>88</b> Apt Elev <b>96</b>
----------------------------------------	------------------------	--------------------------------------------------------------

# RNAV (GPS) RWY 35L

ORLANDO INTL (MCO)

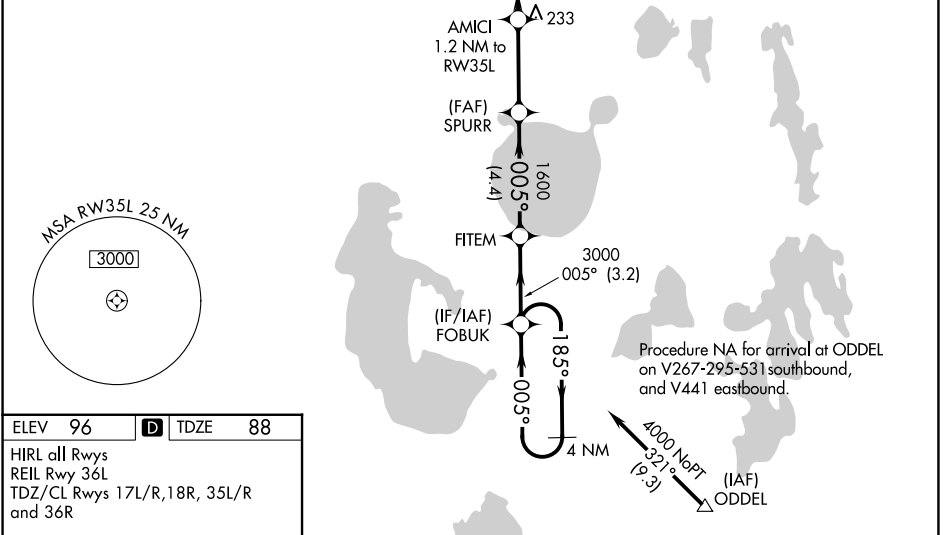
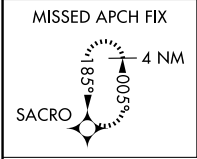
RNP APCH - GPS

▼ For uncompensated Baro-VNAV systems, LNAV/VNAV NA below -1°C or above 54°C. Bright lights on highway midway between Rwy 35L and Rwy 35R may be mistaken for runway lights. Simultaneous approach authorized with Rwy 35R, Rwy 36L, or Rwy 35R and Rwy 36R. LNAV procedure NA during simultaneous operations. Use of FD or AP required during simultaneous operations. For inop ALS, increase LNAV/VNAV all Cats visibility to RVR 5100 and LNAV Cats C/D visibility to RVR 6000.



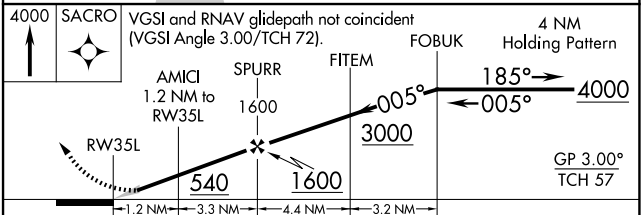
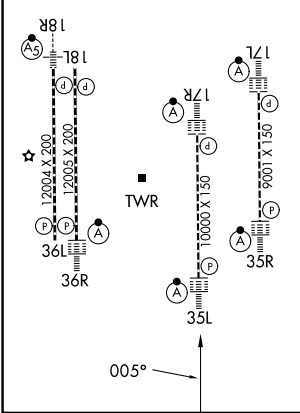
MISSED APPROACH:  
Climb to 4000 direct SACRO and hold.

D-ATIS <b>121.25</b>	ORLANDO APP CON <b>124.8 307.0</b>	ORLANDO TOWER <b>118.45 253.5</b> (17L/35R, 17R/35L) <b>124.3 253.5</b> (18L/36R, 18R/36L)	GND CON <b>126.4</b> (E) <b>121.8</b> (W)
-------------------------	---------------------------------------	--------------------------------------------------------------------------------------------------	-------------------------------------------------



ELEV 96	<b>D</b> TDZE 88
---------	------------------

HIRL all Rwys  
REIL Rwy 36L  
TDZ/CL Rwys 17L/R, 18R, 35L/R and 36R



CATEGORY	A	B	C	D
LPV DA		288/18	200 (200-½)	
LNAV/VNAV DA		407/27	319 (400-¾)	
LNAV MDA	500/24	412 (500-½)	500/40	412 (500-¾)
CIRCLING	740-1	644 (700-1)	740-1¾ 644 (700-1¾)	740-2 644 (700-2)

SE-3, 16 APR 2026 to 14 MAY 2026

SE-3, 16 APR 2026 to 14 MAY 2026