

(GIDGT3.GIDGT) 07AUG25

GIDGT THREE DEPARTURE (RNAV) Departure Routes

LAS VEGAS, NEVADA
HARRY REID INTL (LAS)

LAS VEGAS DEP CON
133.95 353.7
D-ATIS
132.4
CLNC DEL
118.0
CPDLC
GND CON
121.1 270.8 E of 1R/19L
121.9 254.3 W of 1L/19R
LAS VEGAS TOWER
118.75 257.8 (Rwys 1L/19R, 1R/19L)
119.9 257.8 (Rwys 8L/26R, 8R/26L)

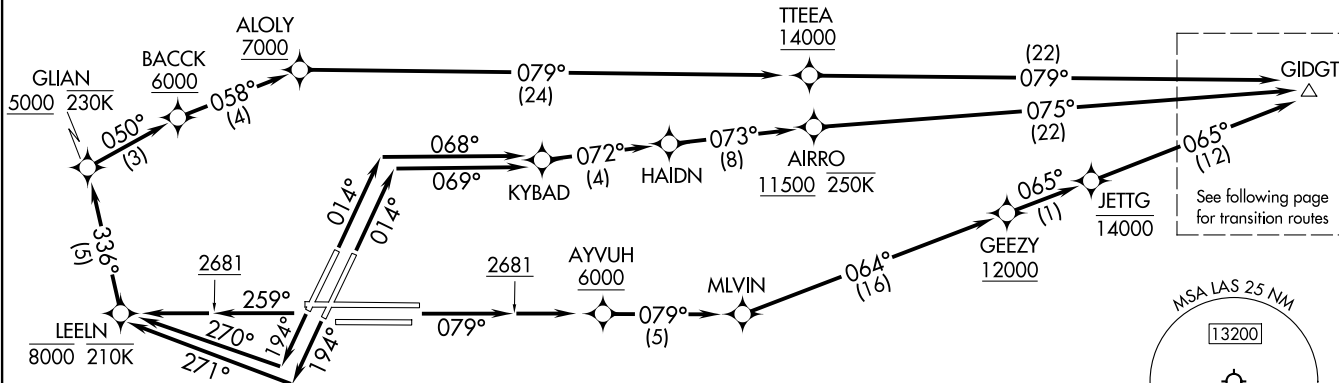
RNAV 1 - DME/DME/IRU or GPS.
RADAR required for non-GPS equipped aircraft.

TOP ALTITUDE:
FL190



TAKEOFF MINIMUMS

Rwy 1L: Standard with minimum climb of 500'/NM to 2681, then 286'/NM to 4900.
Rwy 1R: Standard with minimum climb of 500'/NM to 2681, then 295'/NM to 4900.
Rwys 8L/R, 19L/R: Standard with minimum climb of 500'/NM to 2681.
Rwy 26L: Standard with minimum climb of 500'/NM to 2681, then 204'/NM to 4100.
Rwy 26R: Standard with minimum climb of 500'/NM to 2681, then 271'/NM to 4100.



NOTE: Turbojet only.
NOTE: SSKEE and IWANS Transition assigned by ATC - do not file.

NOTE: Chart not to scale.

(CONTINUED ON FOLLOWING PAGE)

(GIDGT3.GIDGT) 25247

GIDGT THREE DEPARTURE (RNAV) Departure Routes

AL-662 (FAA)
HARRY REID INTL (LAS)
LAS VEGAS, NEVADA

(GIDGT3.GIDGT) 07AUG25

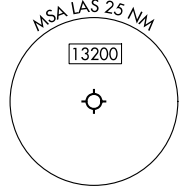
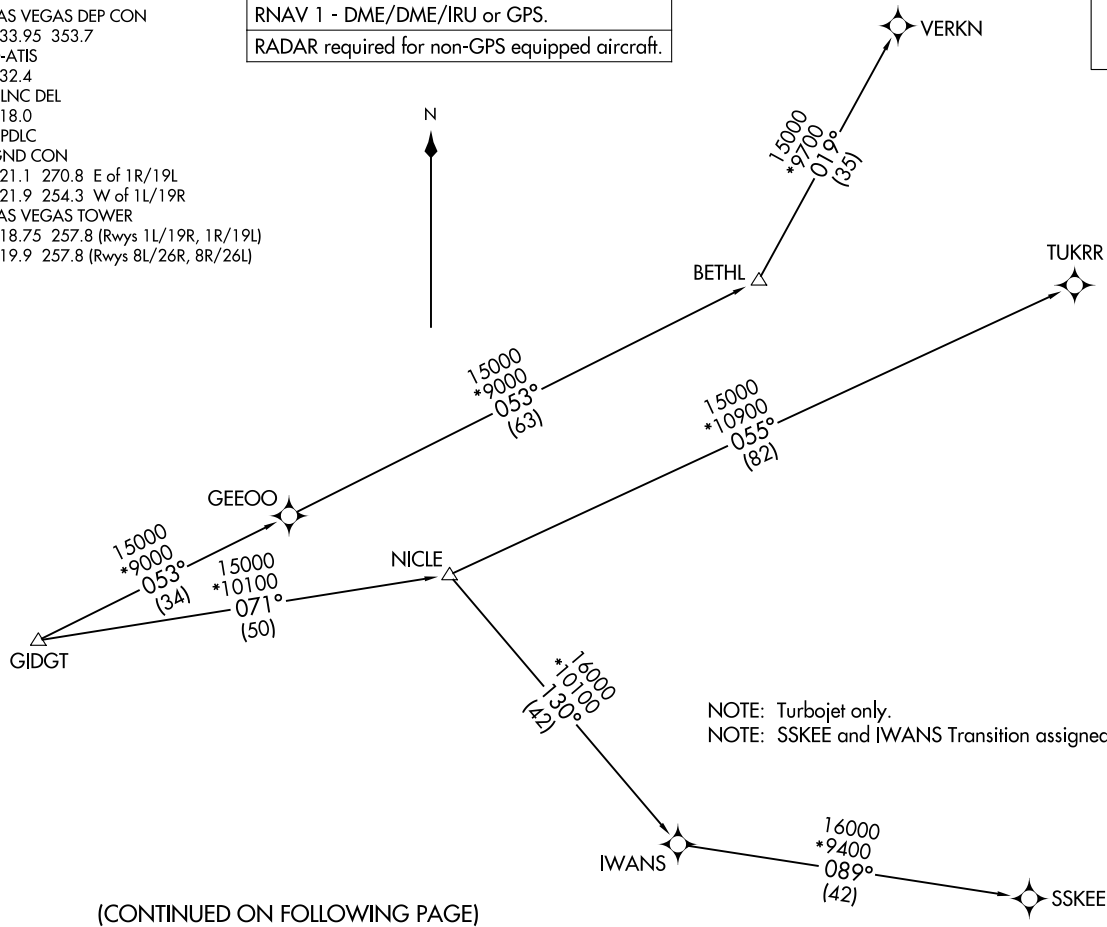
GIDGT THREE DEPARTURE (RNAV) Transition Routes

LAS VEGAS, NEVADA
HARRY REID INTL (LAS)

LAS VEGAS DEP CON
133.95 353.7
D-ATIS
132.4
CLNC DEL
118.0
CPDLC
GND CON
121.1 270.8 E of 1R/19L
121.9 254.3 W of 1L/19R
LAS VEGAS TOWER
118.75 257.8 (Rwys 1L/19R, 1R/19L)
119.9 257.8 (Rwys 8L/26R, 8R/26L)

RNAV 1 - DME/DME/IRU or GPS.
RADAR required for non-GPS equipped aircraft.

TOP ALTITUDE:
FL190



NOTE: Turbojet only.
NOTE: SSKEE and IWANS Transition assigned by ATC - do not file.

(CONTINUED ON FOLLOWING PAGE)

NOTE: Chart not to scale.

(GIDGT3.GIDGT) 25247
GIDGT THREE DEPARTURE (RNAV)

Al-662 (FAA)
Transition Routes

HARRY REID INTL (LAS)
LAS VEGAS, NEVADA



DEPARTURE ROUTE DESCRIPTION

TAKEOFF RUNWAY 1L: Climb on heading 014° to intercept course 068° to KYBAD, then on track 072° to HAIDN, then on track 073° to cross AIRRO at or above 11500 and at or below 250K, then on track 075° to GIDGT, thence. . . .

TAKEOFF RUNWAY 1R: Climb on heading 014° to intercept course 069° to KYBAD, then on track 072° to HAIDN, then on track 073° to cross AIRRO at or above 11500 and at or below 250K, then on track 075° to GIDGT, thence. . . .

TAKEOFF RUNWAYS 8L/R: Climb on heading 079° to 2681, then direct to cross AYVUH at or above 6000, then on track 079° to MLVIN, then on track 064° to cross GEEZY at or above 12000, then on track 065° to cross JETTG at or below 14000, then on track 065° to GIDGT, thence. . . .

TAKEOFF RUNWAY 19L: Climb on heading 194° to intercept course 271° to cross LEELN at or below 8000 and at or below 210K, then on track 336° to cross GLIAN at or above 5000 and at or below 230K, then on track 050° to cross BACCK at or above 6000, then on track 058° to cross ALOLY at or above 7000, then on track 079° to cross TTEEA at or above 14000, then on track 079° to GIDGT, thence. . . .

TAKEOFF RUNWAY 19R: Climb on heading 194° to intercept course 270° to cross LEELN at or below 8000 and at or below 210K, then on track 336° to cross GLIAN at or above 5000 and at or below 230K, then on track 050° to cross BACCK at or above 6000, then on track 058° to cross ALOLY at or above 7000, then on track 079° to cross TTEEA at or above 14000, then on track 079° to GIDGT, thence. . . .

TAKEOFF RUNWAYS 26L/R: Climb on heading 259° to 2681, then direct to cross LEELN at or below 8000 and at or below 210K, then on track 336° to cross GLIAN at or above 5000 and at or below 230K, then on track 050° to cross BACCK at or above 6000, then on track 058° to cross ALOLY at or above 7000, then on track 079° to cross TTEEA at or above 14000, then on track 079° to GIDGT, thence. . . .

. . . .on (transition). Maintain FL190. Expect filed altitude 10 minutes after departure.

IWANS TRANSITION (GIDGT3.IWANS)

SSKEE TRANSITION (GIDGT3.SSKEE)

TUKRR TRANSITION (GIDGT3.TUKRR)

VERKN TRANSITION (GIDGT3.VERKN)

SW-4, 16 APR 2026 to 14 MAY 2026

SW-4, 16 APR 2026 to 14 MAY 2026