

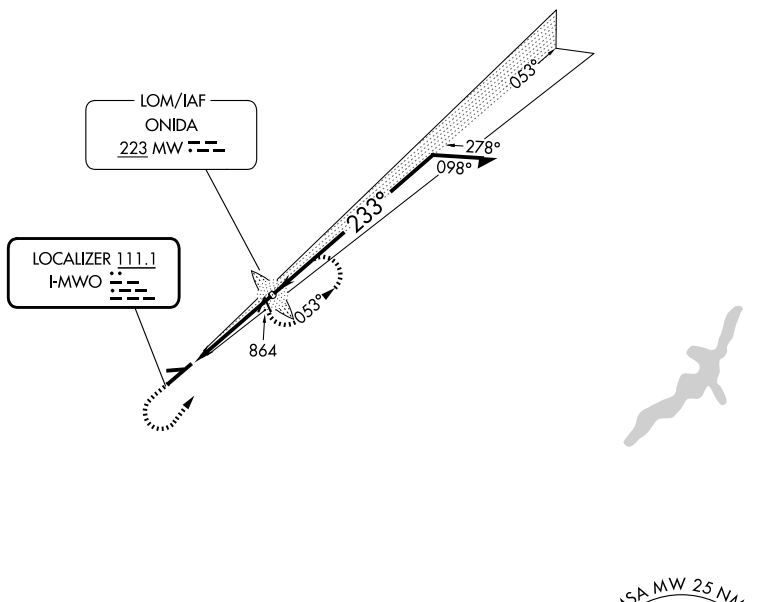
LOC I-MWO 111.1	APP CRS 233°	Rwy Ldg TDZE Apt Elev	5801 650 651
---------------------------	------------------------	-----------------------------	---

LOC RWY 23

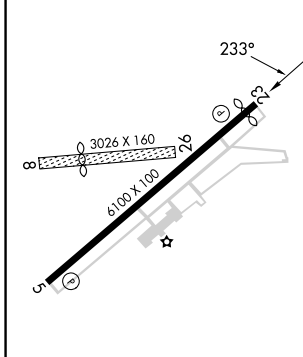
MIDDLETOWN RGNL/HOOK FLD (MWO)

ADF required.	MISSED APPROACH: Climb to 2600 then climbing left turn to 3000 direct ONIDA LOM and hold.
<p>▼ Rwy 23 helicopter visibility reduction below 3/4 SM NA. Circling NA to Rwy's 8 and 26.</p> <p>▲ NA Circling Rwy 5 NA at night. When local altimeter not received use MGY altimeter setting, increase all MDAs 80 feet and S-LOC 23 visibility Cats C and D 1/4 SM.</p>	

AWOS-3PT 120.025	COLUMBUS APP CON 118.85 269.275	UNICOM 123.0 (CTAF)
----------------------------	---	-------------------------------



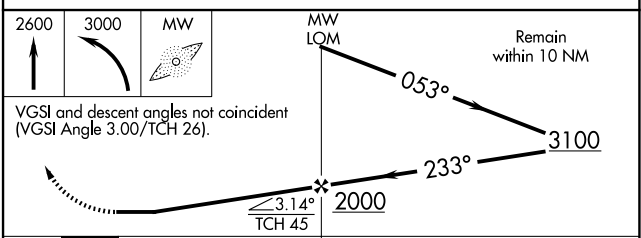
ELEV 651	TDZE 650
----------	----------



MIRL Rwy 5-23
REL Rwy's 5 and 23

FAF to MAP 3.9 NM

Knots	60	90	120	150	180
Min:Sec	3:54	2:36	1:57	1:34	1:18



CATEGORY	A	B	C	D
S-LOC 23	1140-1 490 (500-1)		1140-1 3/8 490 (500-1 3/8)	1140-1 1/2 490 (500-1 1/2)
CIRCLING	1380-1	729 (800-1)	1720-3 1069 (1100-3)	1840-3 1189 (1200-3)

EC-2, 16 APR 2026 to 14 MAY 2026

EC-2, 16 APR 2026 to 14 MAY 2026