

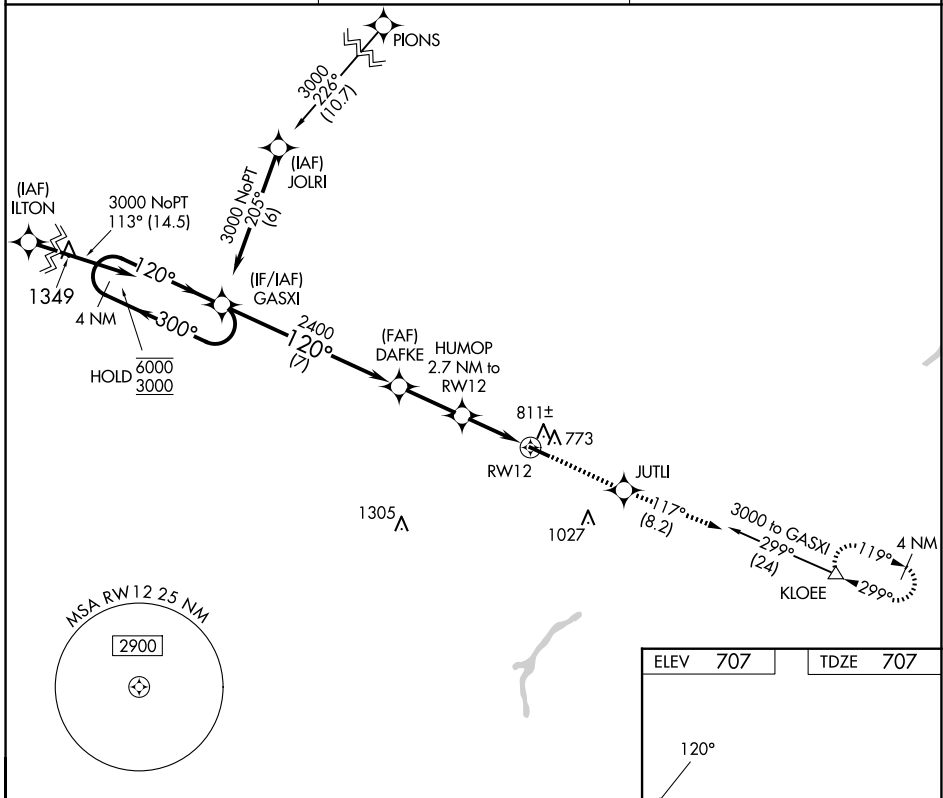
APP CRS	Rwy Ldg	<b>4199</b>
<b>120°</b>	TDZE	<b>707</b>
	Apt Elev	<b>707</b>

# RNAV (GPS) RWY 12

DEFIANCE MEML (DFI)

RNP APCH.	MISSED APPROACH: Climb to 3000 direct JUTLI and on track 117° to KLOEE and hold.
<p><b>▼</b> Circling Rwy 30 NA at night. Rwy 12 helicopter visibility reduction below 3/4 SM NA.</p> <p><b>▲</b></p>	

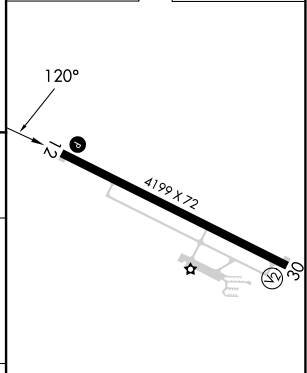
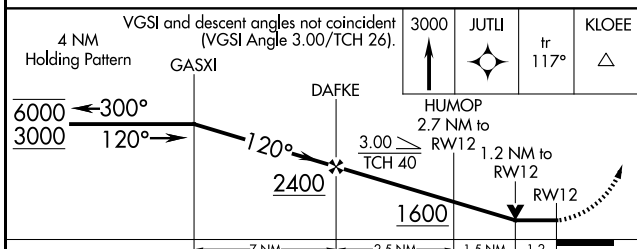
ASOS <b>121.425</b>	TOLEDO APP CON <b>134.35 307.0</b>	UNICOM <b>122.7 (CTAF)</b>
------------------------	---------------------------------------	-------------------------------



EC-2, 16 APR 2026 to 14 MAY 2026

EC-2, 16 APR 2026 to 14 MAY 2026

ELEV	707	TDZE	707
------	-----	------	-----



CATEGORY	A	B	C	D
LNVA MDA	1100-1	393 (400-1)	1100-1 1/8	393 (400-1 1/8)
<b>C</b> CIRCLING	1140-1 433 (500-1)	1160-1 453 (500-1)	1380-2 673 (700-2)	1380-2 1/4 673 (700-2 1/4)

REIL Rwy 12 and 30 **①**  
MIRL Rwy 12-30 **②**