

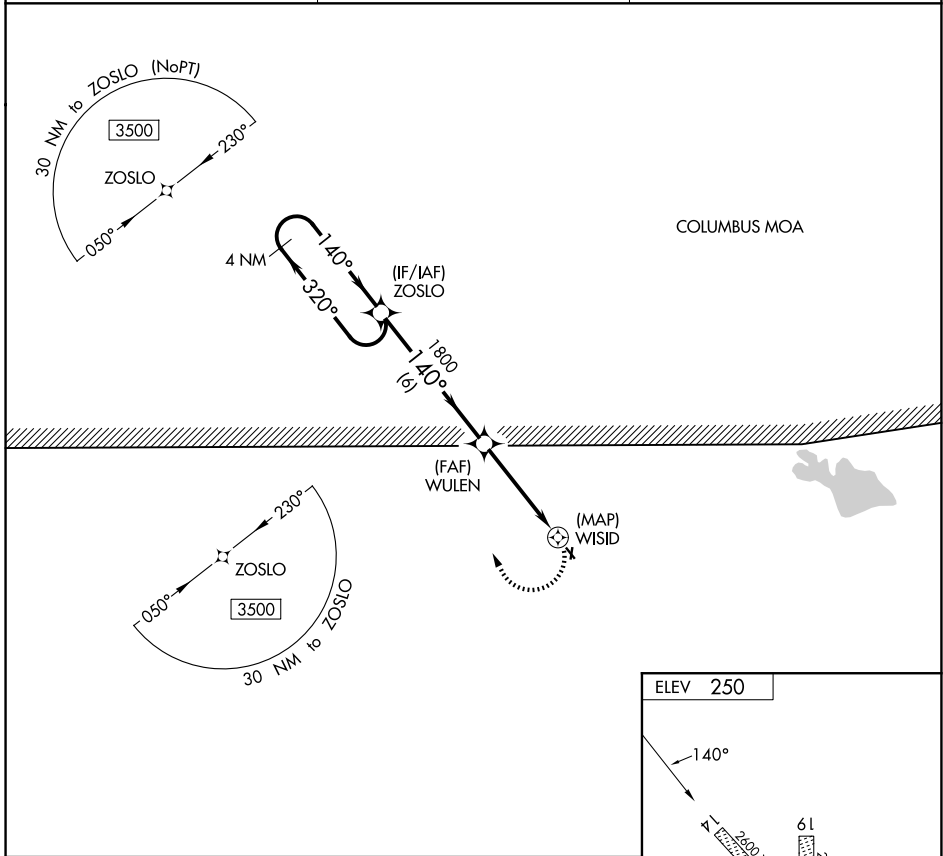
APP CRS	Rwy Ldg	N/A
140°	TDZE	N/A
	Apt Elev	250

# RNAV (GPS)-A

OKTIBBEHA (M51)

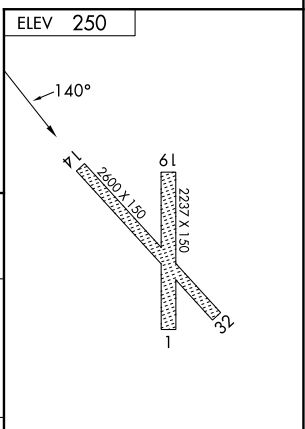
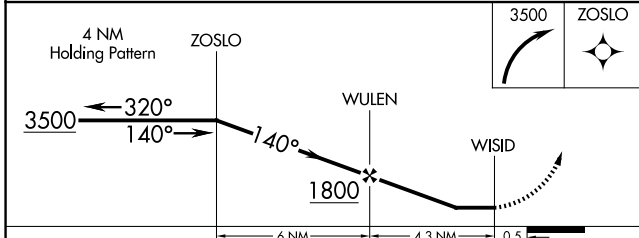
<p><b>▼</b> DME/DME RNP-0.3 NA. Procedure NA at night. Use Golden Triangle Rgnl altimeter setting; when not received, use George M Bryan altimeter setting and increase all MDA 20 feet.</p> <p><b>▲</b> NA</p>	<p>MISSED APPROACH: Climbing right turn 3500 direct ZOSLO and hold.</p>
---	---

<p>GTR AWOS-3PT <b>126.375</b></p>	<p>COLUMBUS APP CON ★ <b>135.6 323.275</b></p>	<p>UNICOM <b>122.8 (CTAF)</b></p>
--	--	---------------------------------------



SC-4, 16 APR 2026 to 14 MAY 2026

SC-4, 16 APR 2026 to 14 MAY 2026



CATEGORY	A	B	C	D
CIRCLING	760-1 510 (600-1)	840-1 590 (600-1)	NA	