

ALEXANDRIA THREE DEPARTURE  
(AEX3.AEX) 070C121

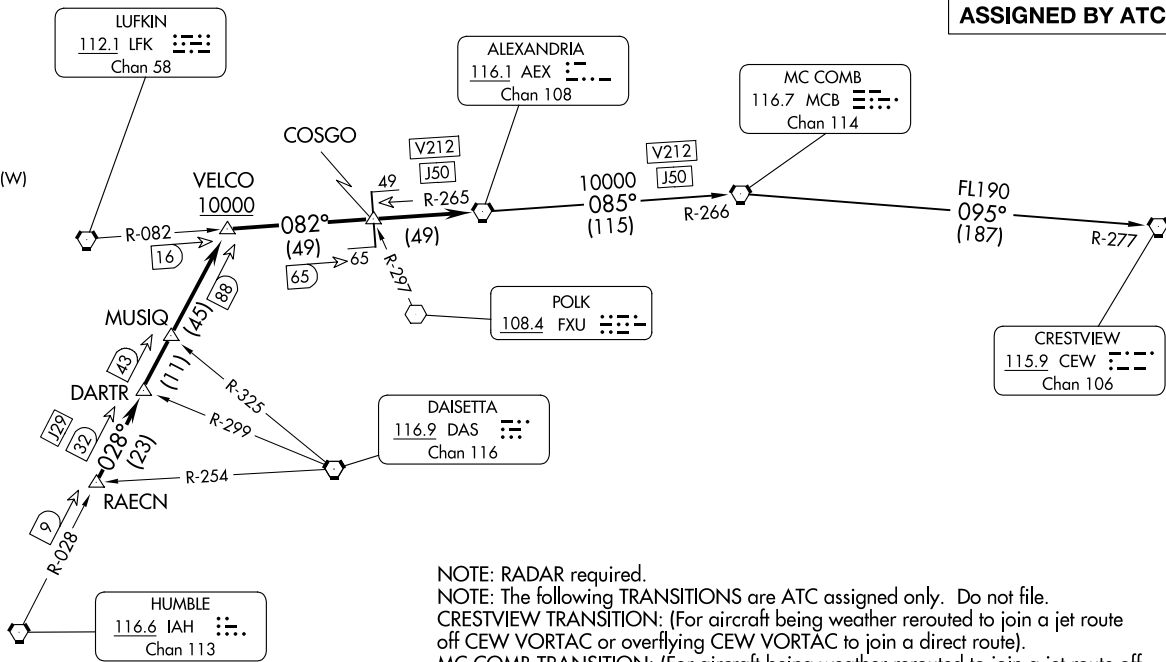
ALEXANDRIA THREE DEPARTURE  
(AEX3.AEX) 23331

AL-5457 (FAA)

DAVID WAYNE HOOKS MEML (DWH)  
HOUSTON, TEXAS

HOUSTON DEP CON  
119.7 281.4  
ATIS  
128.375  
CLNC DEL  
119.45  
GND CON  
121.8 239.0  
HOOKS TOWER\*  
127.4 354.1 (E)  
118.4 (CTAF) 354.1 (W)

**TOP ALTITUDE:  
ASSIGNED BY ATC**



NOTE: RADAR required.

NOTE: The following TRANSITIONS are ATC assigned only. Do not file.

CRESTVIEW TRANSITION: (For aircraft being weather rerouted to join a jet route off CEW VORTAC or overflying CEW VORTAC to join a direct route).

MC COMB TRANSITION: (For aircraft being weather rerouted to join a jet route off MCB VORTAC or overflying MCB VORTAC to join a direct route).

**TAKEOFF MINIMUMS**

Rwys 17L, 35R: NA - Environmental.

Waterway 17, 35: NA - Air Traffic.

Rwys 17R, 35L: Standard.

NOTE: Chart not to scale.

(CONTINUED ON FOLLOWING PAGE)

DAVID WAYNE HOOKS MEML (DWH)  
HOUSTON, TEXAS

# ALEXANDRIA THREE DEPARTURE



## DEPARTURE ROUTE DESCRIPTION

TAKEOFF ALL RUNWAYS: When entering controlled airspace, climb on assigned heading for RADAR vectors to RAECN INT. Maintain ATC assigned altitude. Expect filed altitude 10 minutes after departure, thence. . . .

. . . .on IAH R-028 to VELCO INT, cross VELCO INT at or above 10000, then right turn on LFK R-082 and AEX R-265 to AEX VORTAC.

CRESTVIEW TRANSITION (AEX3.CEW): From over AEX VORTAC on AEX R-085 and MCB R-266 to MCB VORTAC, then on MCB R-095 and CEW R-277 to CEW VORTAC.

MC COMB TRANSITION (AEX3.MCB): From over AEX VORTAC on AEX R-085 and MCB R-266 to MCB VORTAC.

SC-5, 16 APR 2026 to 14 MAY 2026

SC-5, 16 APR 2026 to 14 MAY 2026