

RNAV (GPS) RWY 28

IONIA COUNTY (Y70)

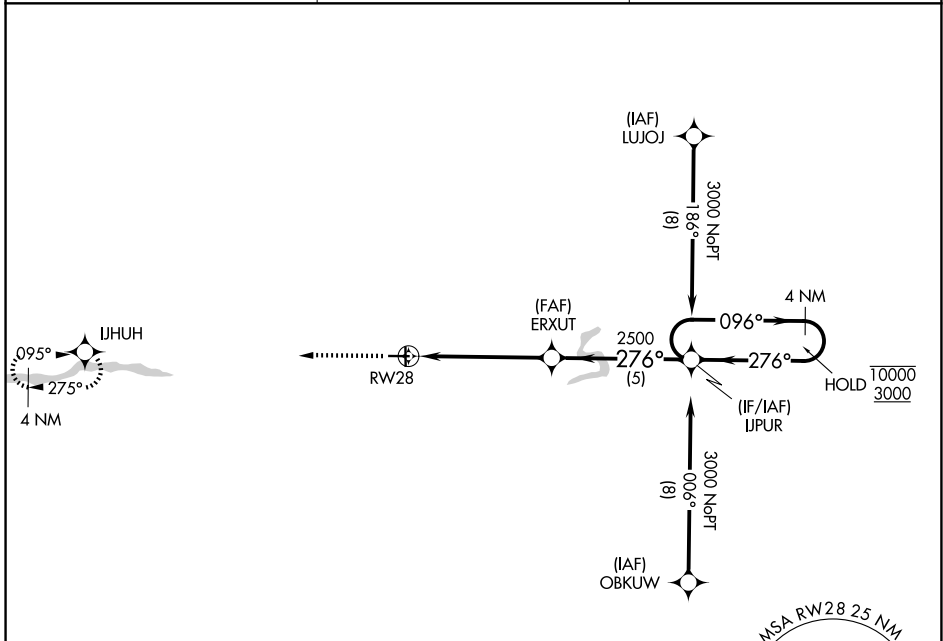
APP CRS 276°	Rwy Ldg TDZE Apt Elev	4298 813 818
------------------------	-----------------------------	---

RNP APCH - GPS.

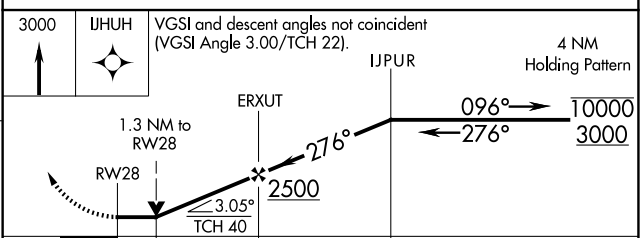
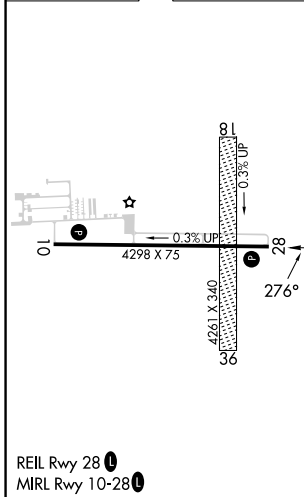
⚠ Circling NA to Rwy 18 and 36. Rwy 28 helicopter visibility reduction below ¾ SM NA.

MISSED APPROACH: Climb to 3000 direct IJHUH and hold.

AWOS-3P 118.9	GREAT LAKES APP CON ★ 118.65 226.4	UNICOM 122.8 (CTAF)
-------------------------	--	-------------------------------



ELEV 818	TDZE 813
----------	----------



CATEGORY	A	B	C	D
LNAV MDA	1240-1	427 (500-1)	1240-1¼ 427 (500-1¼)	NA
CIRCLING	1320-1	502 (600-1)	1340-1½ 522 (600-1½)	NA

EC-1, 16 APR 2026 to 14 MAY 2026

EC-1, 16 APR 2026 to 14 MAY 2026