

WAAS CH 97439 W27A	APP CRS 273°	Rwy Ldg TDZE Apt Elev	4649 879 884
--	------------------------	-----------------------------	---

RNAV (GPS) RWY 27

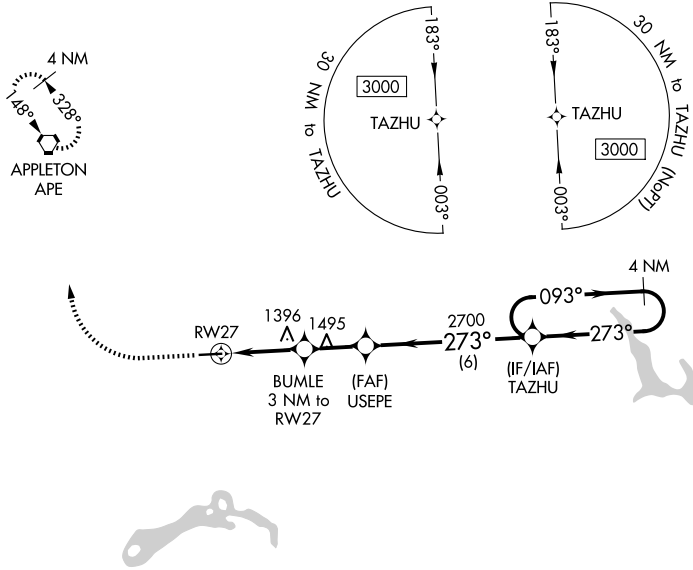
LICKING COUNTY RGNL (VTA)

RNP APCH - GPS.

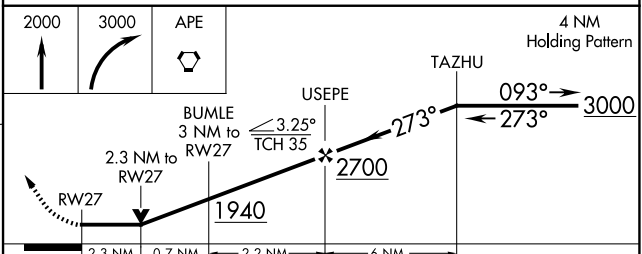
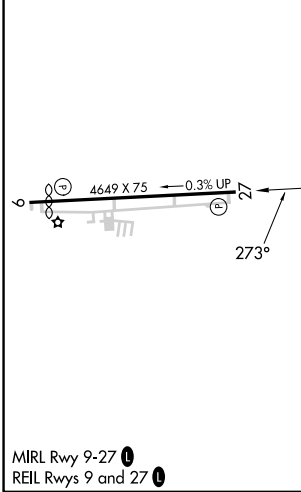
⚠ Circling Rwy 9 NA at night. Rwy 27 helicopter visibility reduction below 3/4 SM NA.

MISSED APPROACH: Climb to 2000 then climbing right turn to 3000 direct APE VORTAC and hold.

ASOS 121.125	COLUMBUS APP CON 125.95 317.775	CLNC DEL 125.175	UNICOM 122.7 (CTAF)	123.3 0
------------------------	---	----------------------------	-------------------------------	-----------------------



ELEV 884	TDZE 879
-----------------	-----------------



CATEGORY	A	B	C	D
LP MDA	1680-1 801 (800-1)	1680-1¼ 801 (800-1¼)	1680-2½	801 (800-2½)
LNAV MDA	1700-1 821 (900-1)	1700-1¼ 821 (900-1¼)	1700-2½	821 (900-2½)
CIRCLING	1700-1¼	816 (900-1¼)	1760-2½ 876 (900-2½)	1760-2¾ 876 (900-2¾)

MIRL Rwy 9-27 **0**
REIL Rwy 9 and 27 **0**

EC-2, 16 APR 2026 to 14 MAY 2026

EC-2, 16 APR 2026 to 14 MAY 2026