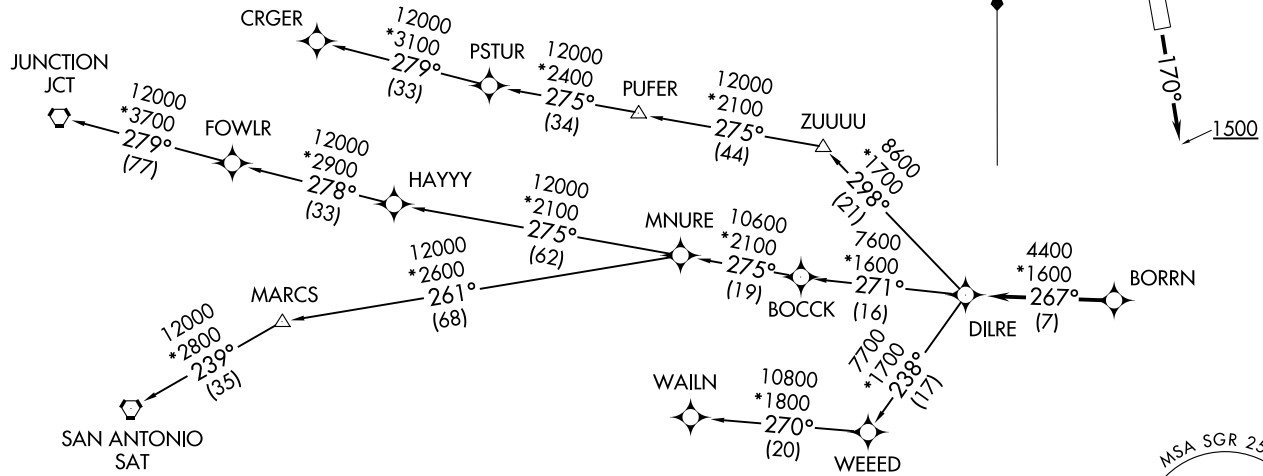


RNAV 1 - DME/DME/IRU or GPS.
RADAR required.

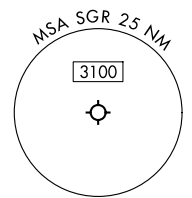
**TOP ALTITUDE:
ASSIGNED BY ATC**

ATIS
118.125
CLNIC DEL
121.4
CLNIC DEL (When twr closed)
119.25
GND CON
121.4
SUGAR LAND TOWER *
118.65 (CTAF)
HOUSTON DEP CON
123.8 257.7

TAKEOFF MINIMUMS
Rwys 17, 35: Standard with minimum
climb of 500'/NM to 600.



NOTE: CRGER-TRANSITION ATC assigned only
for aircraft departing 54T, AXH, EFD, GLS,
HPY, IWS, LBX, LVJ, SGR, TME, T00, T41.



NOTE: Chart not to scale.

(CONTINUED ON FOLLOWING PAGE)

BORRN SIX DEPARTURE (RNAV)
(BORRN6.BORRN) 30NOV23
SUGAR LAND RGNL (SGR)
HOUSTON, TEXAS

(BORRN6.BORRN) 25051
BORRN SIX DEPARTURE (RNAV)
AL-5537 (FAA)
SUGAR LAND RGNL (SGR)
HOUSTON, TEXAS

BORRN SIX DEPARTURE (RNAV)



DEPARTURE ROUTE DESCRIPTION

TAKEOFF RUNWAY 17: Climb on heading 170° to 1500, for RADAR vectors to BORRN, thence. . . .

TAKEOFF RUNWAY 35: Climb on heading 350° to 1100, for RADAR vectors to BORRN, thence. . . .

. . . .on track 267° to DILRE, then on (transition). Maintain ATC assigned altitude. Expect filed altitude 10 minutes after departure.

CRGER TRANSITION (BORRN6.CRGER)

JUNCTION TRANSITION (BORRN6.JCT)

MNURE TRANSITION (BORRN6.MNURE)

SAN ANTONIO TRANSITION (BORRN6.SAT)

WAILN TRANSITION (BORRN6.WAILN)

SC-5, 16 APR 2026 to 14 MAY 2026

SC-5, 16 APR 2026 to 14 MAY 2026