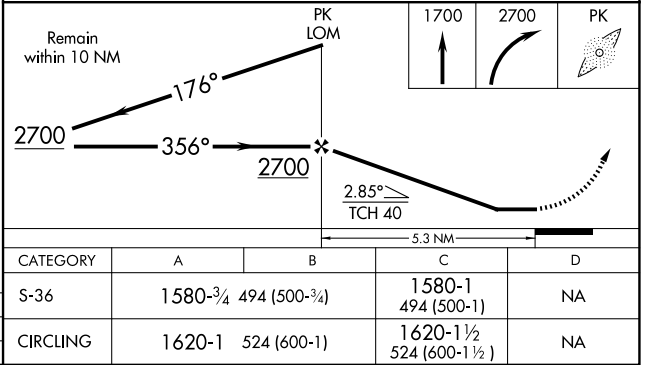
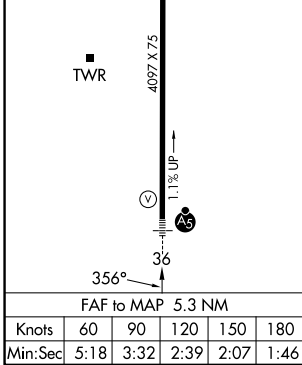
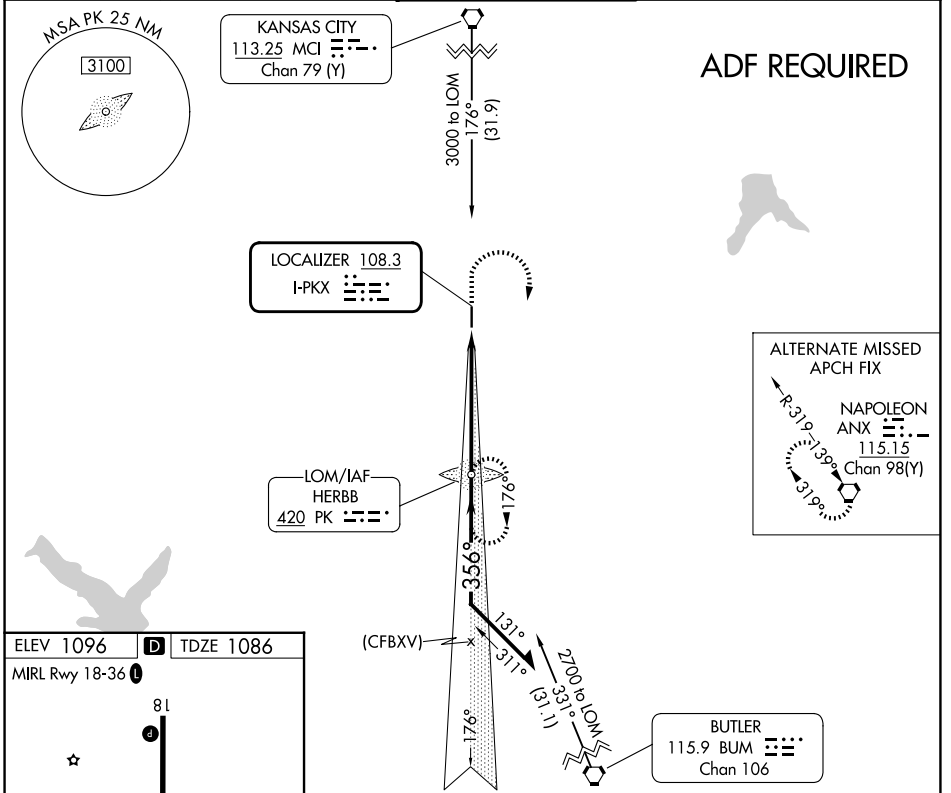


LOC I-PKX <b>108.3</b>	APP CRS <b>356°</b>	Rwy Ldg TDZE Apt Elev	<b>4097</b> <b>1086</b> <b>1096</b>
---------------------------	------------------------	-----------------------------	---

**LOC RWY 36**  
JOHNSON COUNTY EXEC (OJC)

<p>Helicopter visibility reduction below 3/4 SM not authorized. For inoperative MALSRS, increase S-36 Cats A and B visibility 1/4 mile.</p>	<p>MALSRS</p>	<p>MISSED APPROACH: Climb to 1700 then climbing right turn to 2700 direct HERBB LOM and hold.</p>		
		<p>ATIS <b>119.35</b></p>	<p>KANSAS CITY APP CON <b>118.9 251.075</b></p>	<p>EXECUTIVE TOWER* <b>126.0 (CTAF) 225.4</b></p>



NC-2, 16 APR 2026 to 14 MAY 2026

NC-2, 16 APR 2026 to 14 MAY 2026