

LOC I-UNI <b>108.75</b>	APP CRS <b>247°</b>	Rwy Ldg TDZE <b>5600</b> <b>765</b>	Apt Elev <b>766</b>
----------------------------	------------------------	---	------------------------

# ILS or LOC RWY 25

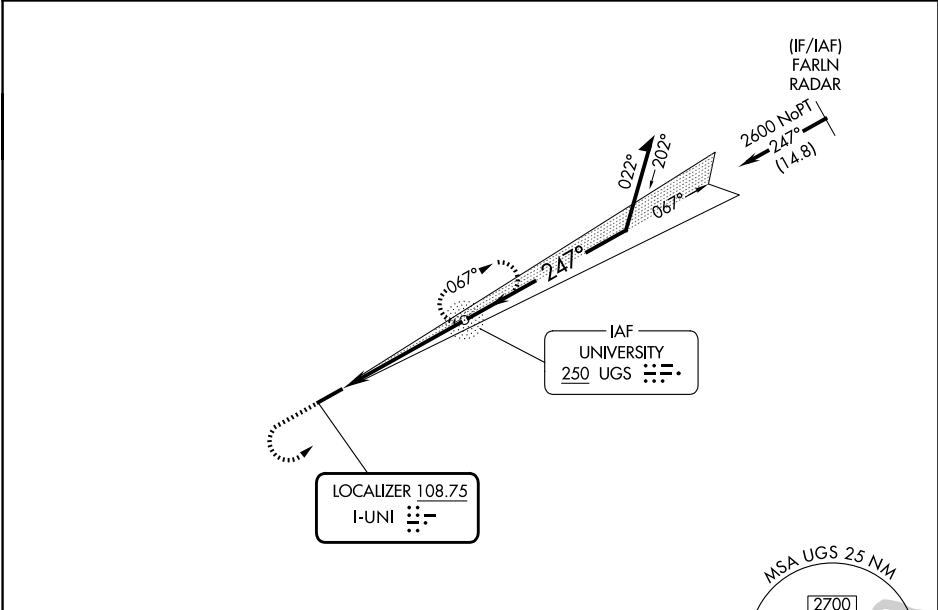
OHIO UNIVERSITY (UNI)

ADF required.  
RADAR required for procedure entry at FARLN.

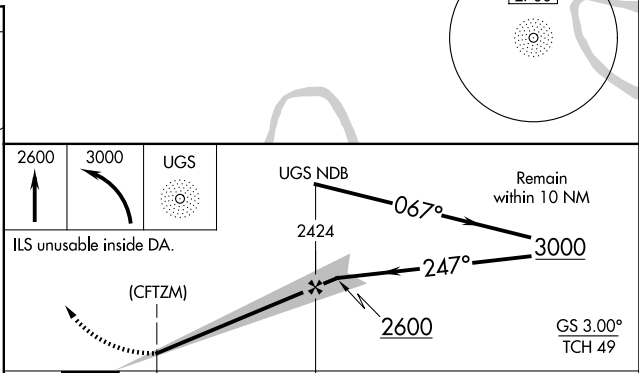
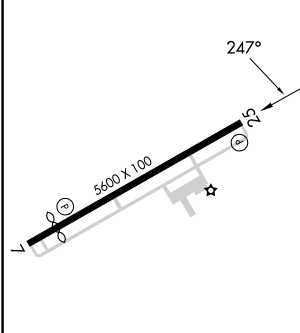
▼  
▲ NA

MISSED APPROACH: Climb to 2600 then climbing left turn to 3000 direct UGS NDB and hold.

AWOS-3 <b>128.325</b>	HUNTINGTON APP CON <b>120.95 270.1</b>	CLNC DEL <b>120.95</b>	UNICOM <b>123.075 (CTAF) 0</b>
--------------------------	---	---------------------------	-----------------------------------



ELEV 766	TDZE 765
----------	----------



MIRL Rwy 7-25 0  
REIL Rwy 7 and 25 0

FAF to MAP 4.6 NM

Knots	60	90	120	150	180
Min:Sec	4:36	3:04	2:18	1:50	1:32

CATEGORY	A	B	C	D
S-ILS 25	974- <sup>3</sup> / <sub>4</sub> 209 (300- <sup>3</sup> / <sub>4</sub> )			
S-LOC 25	1420-1	655 (700-1)	1420-1 <sup>7</sup> / <sub>8</sub>	655 (700-1 <sup>7</sup> / <sub>8</sub> )
CIRCLING	1420-1	654 (700-1)	1420-1 <sup>7</sup> / <sub>8</sub> 654 (700-1 <sup>7</sup> / <sub>8</sub> )	1520-2 <sup>1</sup> / <sub>2</sub> 754 (800-2 <sup>1</sup> / <sub>2</sub> )

EC-2, 16 APR 2026 to 14 MAY 2026

EC-2, 16 APR 2026 to 14 MAY 2026