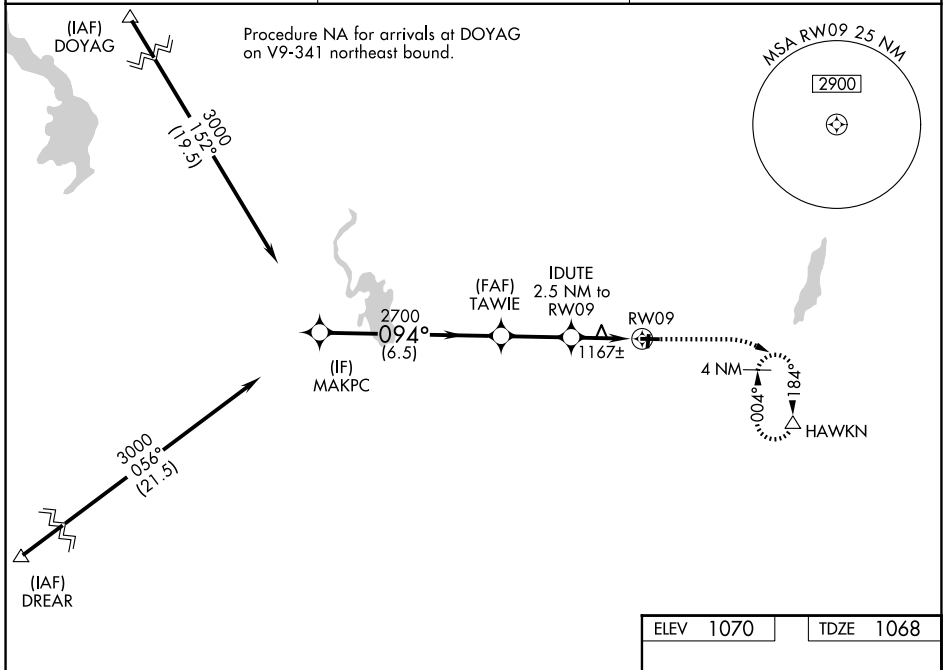


WAAS CH 42743 W09A	APP CRS 094°	Rwy Ldg TDZE Apf Elev	3401 1068 1070
--	------------------------	-----------------------------	---

RNAV (GPS) RWY 9

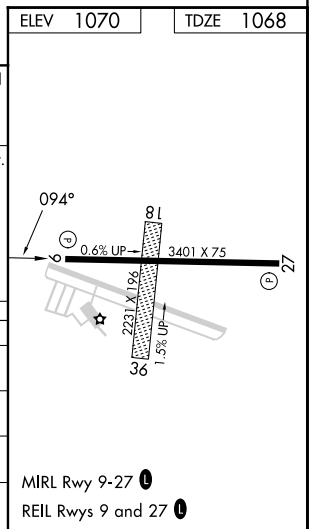
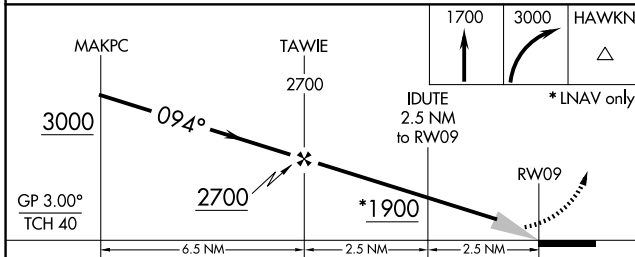
HARTFORD MUNI (HXF)

RNP APCH.		MISSED APPROACH: Climb to 1700 then climbing right turn to 3000 direct HAWKN and hold, continue climb-in-hold to 3000.
<p>▼ Circling NA to Rwys 18 and 36.</p> <p>▲ NA Baro-VNAV NA.</p> <p>Use Westbend altimeter setting.</p>		
ETB AWOS-3 120.0	MILWAUKEE APP CON 125.35 307.0	UNICOM 123.0 (CTAF) 0



EC-3, 16 APR 2026 to 14 MAY 2026

EC-3, 16 APR 2026 to 14 MAY 2026



CATEGORY	A	B	C	D
LPV DA	1372-7/8	304 (400-7/8)		NA
LNAV/VNAV DA	1372-7/8	304 (400-7/8)		NA
LNAV MDA	1480-1	412 (500-1)		NA
CIRCLING	1560-1	490 (500-1)		NA