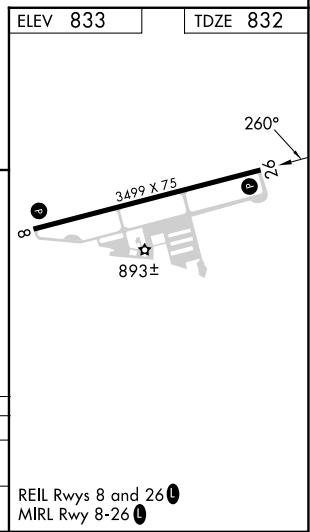
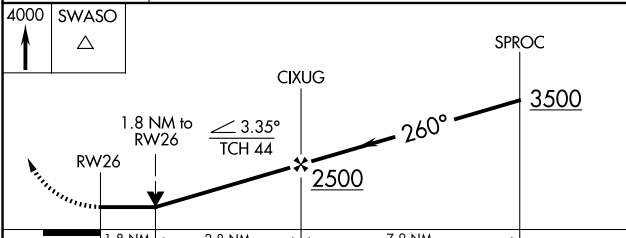
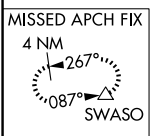
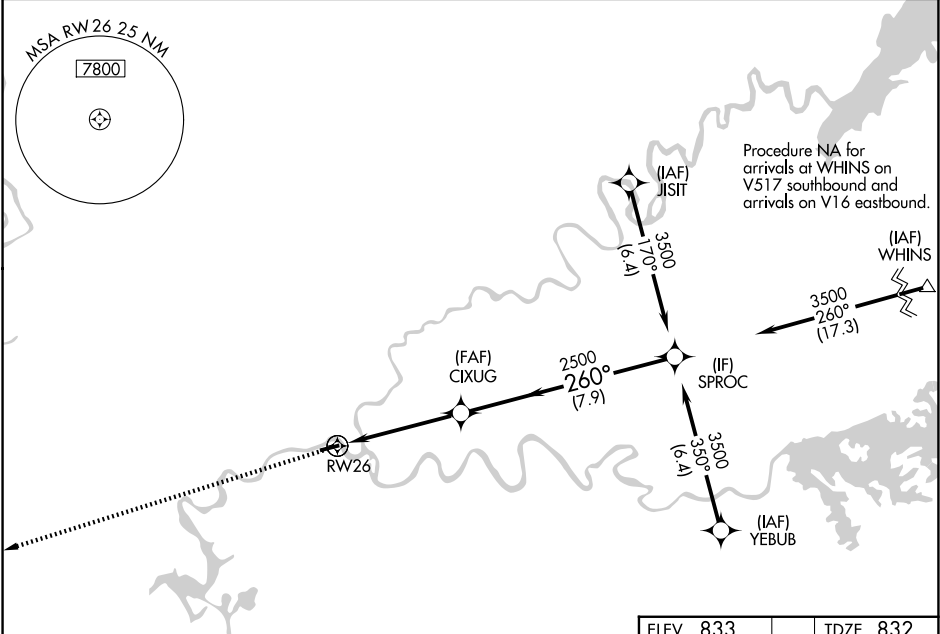


APP CRS 260°	Rwy Ldg TDZE Apt Elev	3499 832 833
------------------------	-----------------------------	---

RNAV (GPS) RWY 26

KNOXVILLE DOWNTOWN ISLAND (DKX)

RNP APCH - GPS.		MISSED APPROACH: Climb to 4000 direct SWASO and hold.	
Rwy 26 helicopter visibility reduction below 3/4 SM NA.		AWOS-3 125.375	KNOXVILLE APP CON 123.9 353.6
		CINC DEL 121.7	UNICOM 123.075 (CTAF)



CATEGORY	A	B	C	D
RNAV MDA	1520-1	688 (700-1)	1520-2 688 (700-2)	NA
CIRCLING	1600-1 767 (800-1)	1720-1¼ 887 (900-1¼)	1720-2¾ 887 (900-2¾)	NA

REIL Rwy 8 and 26
MIRL Rwy 8-26

SE-1, 16 APR 2026 to 14 MAY 2026

SE-1, 16 APR 2026 to 14 MAY 2026