

WAAS CH 63114 W18A	APP CRS 180°	Rwy Ldg TDZE Apt Elev	5001 978 1003
--	------------------------	-----------------------------	--

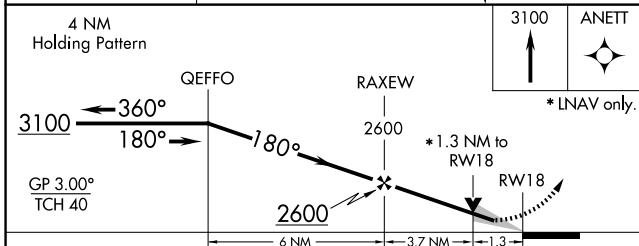
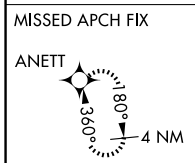
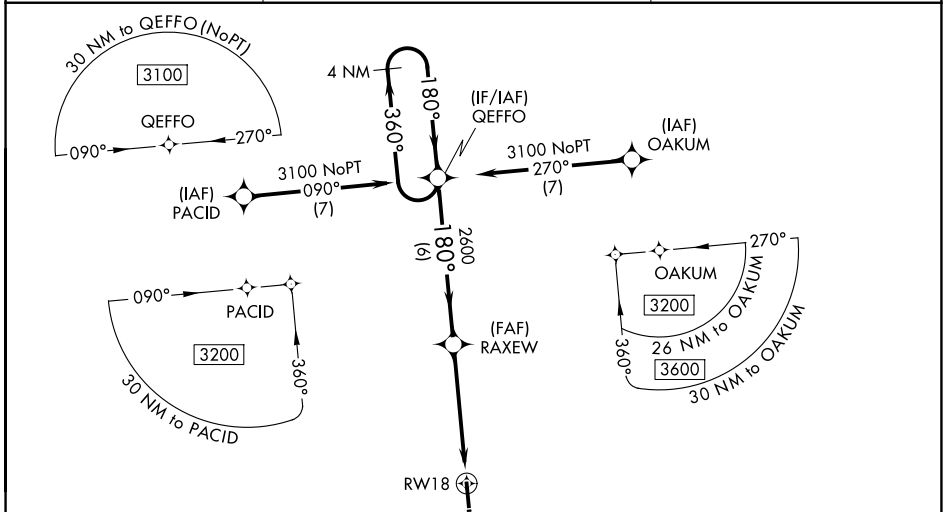
RNAV (GPS) RWY 18

CENTRAL KENTUCKY RGNL (R.G.A)

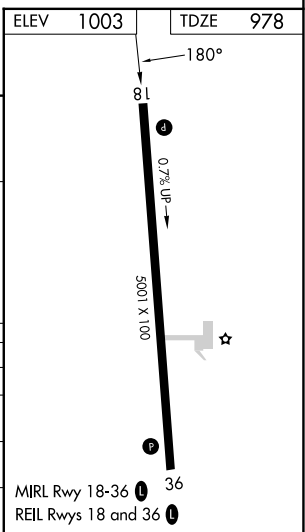
⚠ For uncompensated Baro-VNAV systems, LNAV/VNAV NA below -16°C (4°F) or above 54°C (130°F). DME/DME RNP-0.3 NA. When local altimeter setting not received, use Lexington altimeter setting and increase LPV DA to 1295 feet, LNAV/VNAV DA to 1341 feet and all MDA 80 feet; increase LPV all Cats visibility ¼ mile; LNAV/VNAV all Cats and LNAV Cats C and D ¼ mile and Circling visibility Cat C ½ mile, Cat D ¼ mile. VDP and Baro-VNAV NA when using Lexington altimeter setting.

MISSED APPROACH:
Climb to 3100 direct ANETT and hold.

AWOS-3 119.625	LEXINGTON APP CON 120.15 259.3	UNICOM 122.725 (CTAF) ①
--------------------------	--	-----------------------------------



CATEGORY	A	B	C	D
LPV DA		1228-7/8	250 (300-7/8)	
LNAV/VNAV DA		1274-1	296 (300-1)	
LNAV MDA	1440-1	462 (500-1)	1440-1 3/8	462 (500-1 3/8)
CIRCLING	1440-1 437 (500-1)	1520-1 517 (600-1)	1520-1 1/2 517 (600-1 1/2)	1780-2 1/2 777 (800-2 1/2)



SE-1, 16 APR 2026 to 14 MAY 2026

SE-1, 16 APR 2026 to 14 MAY 2026