

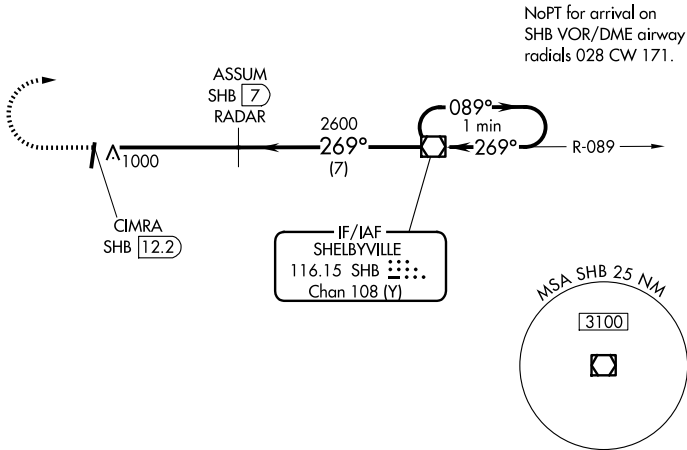
VOR/DME SHB 116.15 Chan 108 (Y)	APP CRS 269°	Rwy Ldg TDZE Apt Elev N/A N/A 822
---	------------------------	--

VOR-A
INDY SOUTH GREENWOOD (HFY)

▼ Rwy 1, 19 helicopter visibility reduction below 3/4 SM NA. DME or RADAR REQUIRED.

MISSED APPROACH: Climb to 1400 then climbing right turn to 2600 direct SHB VOR/DME and hold.

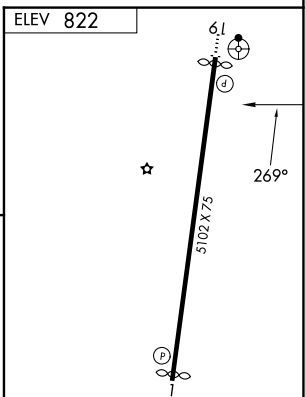
AWOS-3P 118.525	INDIANAPOLIS APP CON 124.95 317.8	GCO 121.725	UNICOM 123.0 (CTAF) 0
---------------------------	---	-----------------------	---------------------------------



NoPT for arrival on SHB VOR/DME airway radials 028 CW 171.

EC-2, 16 APR 2026 to 14 MAY 2026

EC-2, 16 APR 2026 to 14 MAY 2026



1400	2600	SHB	ASSUM SHB 7 RADAR	SHB VOR/DME	One Minute Holding Pattern
↑	↷	◻			
CIMRA SHB 12.2		269°		089°	2600
5.2 NM		7 NM		269°	

CATEGORY	A	B	C	D	FAF to MAP 5.2 NM					
CIRCLING	1360-1 538 (600-1)	1380-1 558 (600-1)	1380-1½ 558 (600-1½)	NA	Knots	60	90	120	150	180
					Min:Sec	5:12	3:28	2:36	2:05	1:44