

APP CRS	Rwy Idg	2578
242°	TDZE	7
	Apt Elev	7

RNAV (GPS) RWY 24

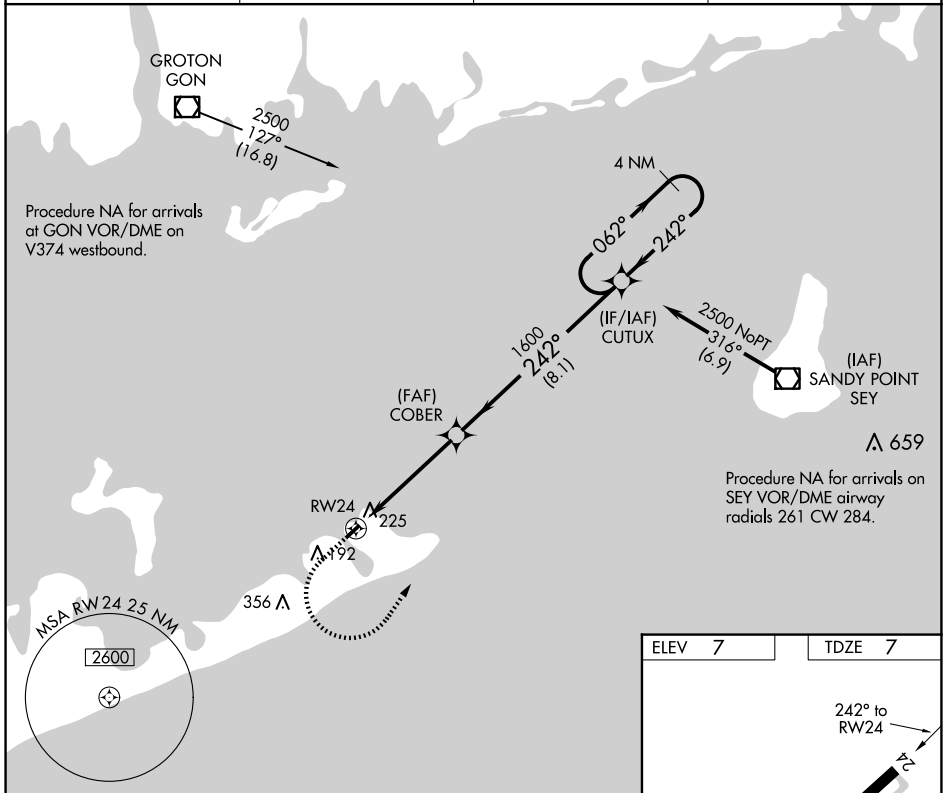
MONTAUK (MTP)

RNP APCH - GPS

▼ Helicopter visibility reduction below 1 SM NA. Use Groton-New London altimeter setting; when not received, use Block Island State altimeter setting: increase all MDA 20 feet and visibility LNAV Cats C and D 1/8 SM and Circling Cats D 1/4 SM. Procedure NA at night.

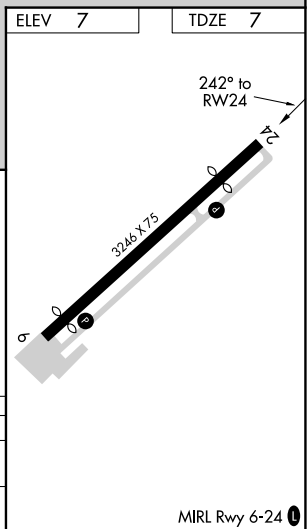
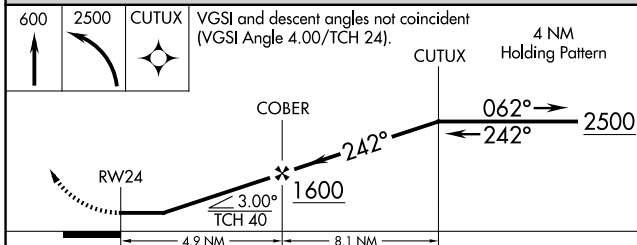
MISSED APPROACH:
Climb to 600 then climbing left turn to 2500 direct CUTUX and hold.

GON ASOS 127.0	NEW YORK APP CON 125.975 343.65	UNICOM 122.7 (CTAF)	121.7 0
--------------------------	---	-------------------------------	----------------



NE-2, 16 APR 2026 to 14 MAY 2026

NE-2, 16 APR 2026 to 14 MAY 2026



CATEGORY	A	B	C	D
LNAV MDA	520-1	513 (600-1)	520-1 3/8	513 (600-1 3/8)
CIRCLING	580-1	573 (600-1)	580-1 1/2 573 (600-1 1/2)	740-2 1/4 733 (800-2 1/4)

MIRL Rwy 6-24 0