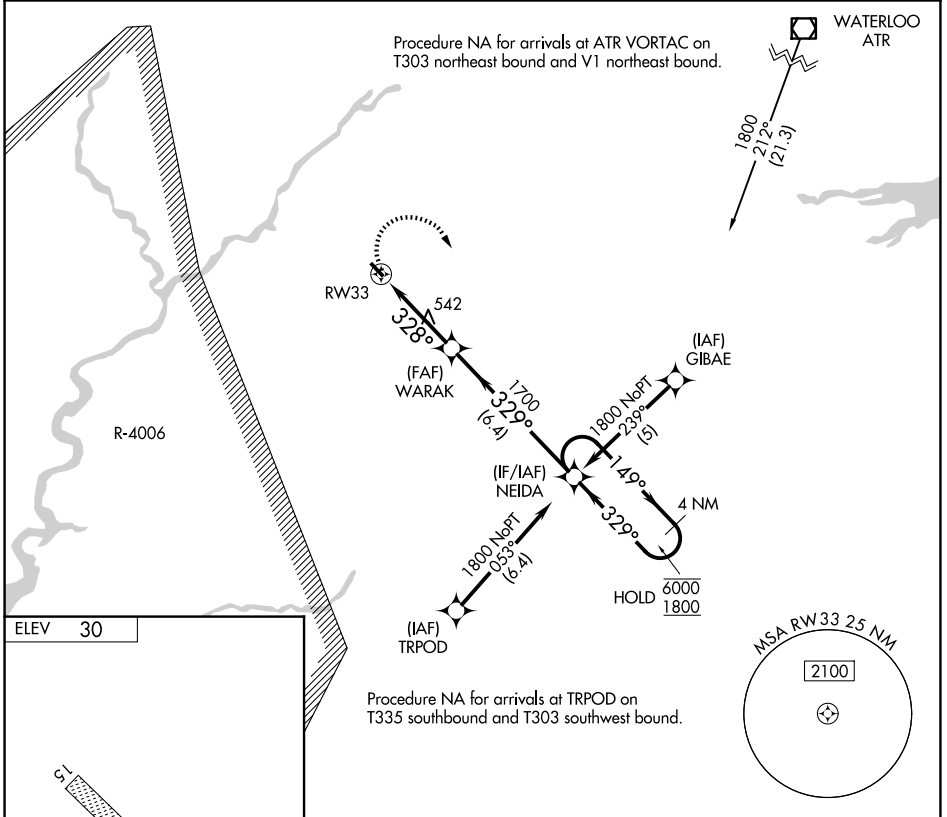


APP CRS	Rwy Ldg TDZE	N/A
<b>328°</b>	Apt Elev	<b>30</b>

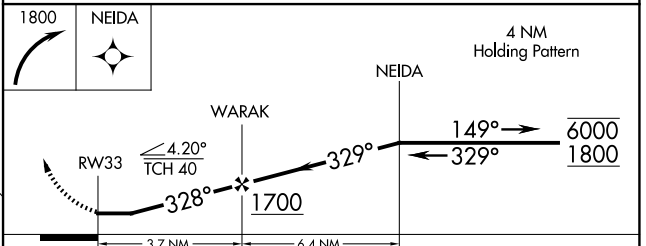
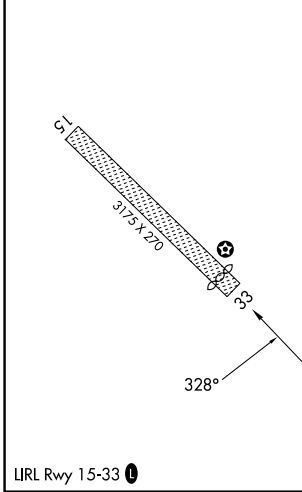
# RNAV (GPS)-A

LAUREL (N06)

RNP APCH - GPS.		MISSED APPROACH: Climbing right turn to 1800 direct NEIDA and hold.
<p><b>▼</b> Procedure NA at night. Use SBY altimeter setting; when not received, use GED altimeter setting and increase all MDAs 20 feet.</p> <p><b>▲</b> NA</p>	<p>SBY ASOS <b>118.325</b></p>	
<p>PATUXENT APP CON * <b>127.95 314.0</b></p>		<p>CTAF <b>122.9 0</b></p>



ELEV	30
------	----



CATEGORY	A	B	C	D
CIRCLING	880-1¼	850 (900-1¼)	NA	

NE-3, 16 APR 2026 to 14 MAY 2026

NE-3, 16 APR 2026 to 14 MAY 2026