

WAAS CH 45834 W09A	APP CRS 095°	Rwy Ldg TDZE Apt Elev	4557 9 9
--	------------------------	-----------------------------	-------------------------------------

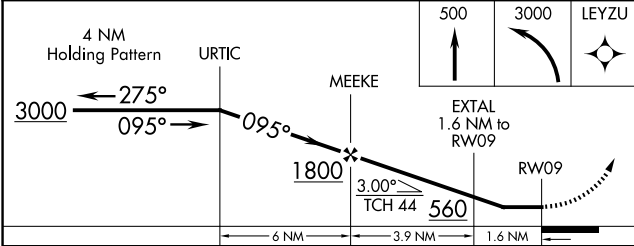
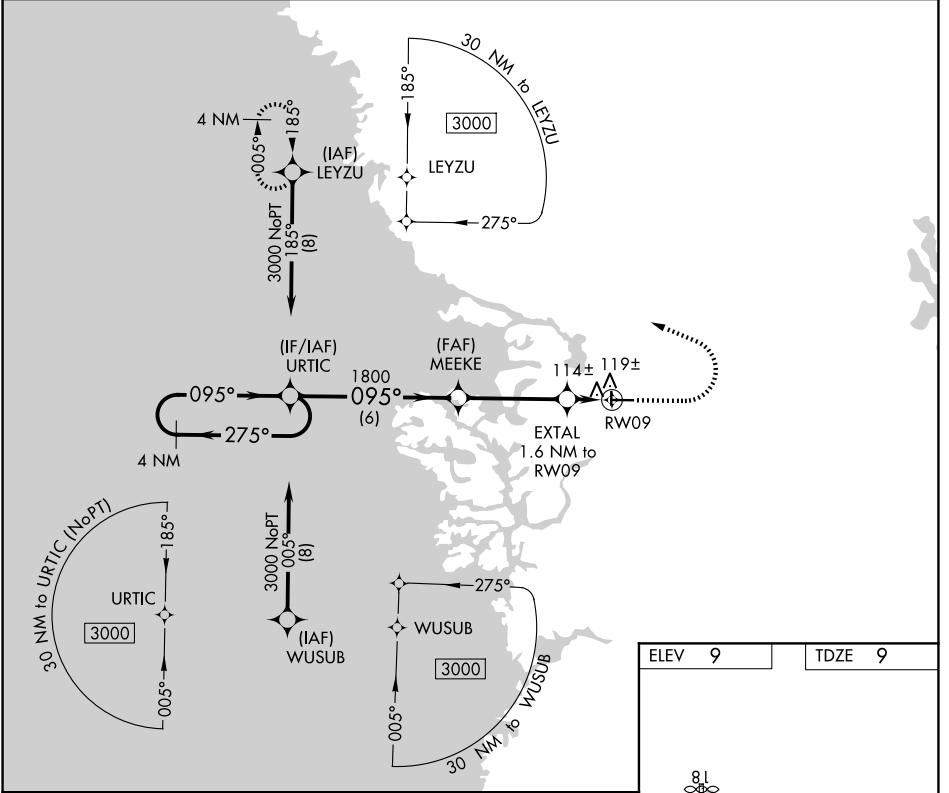
RNAV (GPS) RWY 9

CRYSTAL RIVER/DAVIS FLD (CGC)

▼ Procedure NA at night. DME/DME RNP-0.3 NA. When local altimeter setting not received, use Ocala altimeter setting and increase all MDA 80 feet; increase LP Cat C/D visibility $\frac{3}{8}$ mile, LNAV Cat C/D visibility $\frac{1}{4}$ mile and Circling Cat C/D visibility $\frac{1}{4}$ mile. Helicopter visibility reduction below 1 SM NA.

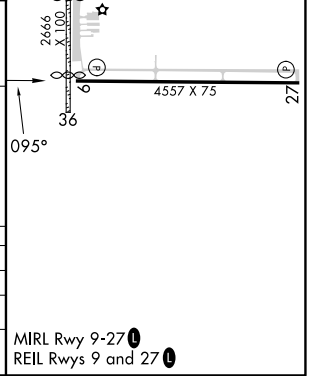
▲ MISSED APPROACH: Climb to 500 then climbing left turn to 3000 direct LEYZU and hold.

AWOS-3 118.325	JACKSONVILLE APP CON 118.6 251.15	UNICOM 122.725 (CTAF) 0
--------------------------	---	-----------------------------------



ELEV 9	TDZE 9
--------	--------

CATEGORY	A	B	C	D
LP MDA	380-1		371 (400-1)	
LNAV MDA	420-1	411 (500-1)	420-1 $\frac{1}{8}$	411 (500-1 $\frac{1}{8}$)
CIRCLING	460-1 451 (500-1)	540-1 531 (600-1)	760-2 $\frac{1}{4}$ 751 (800-2 $\frac{1}{4}$)	880-2 $\frac{3}{4}$ 871 (900-2 $\frac{3}{4}$)



SE-3, 16 APR 2026 to 14 MAY 2026

SE-3, 16 APR 2026 to 14 MAY 2026