

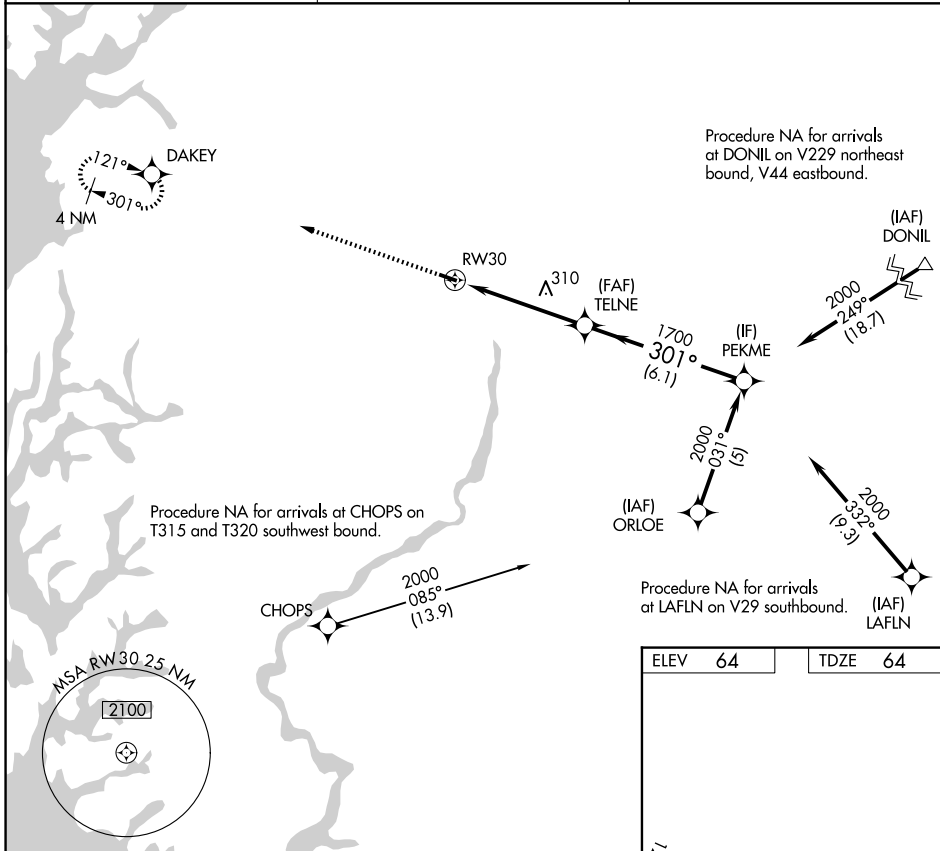
APP CRS	Rwy Ldg 3214
301°	TDZE 64
	Apt Elev 64

RNAV (GPS) RWY 30

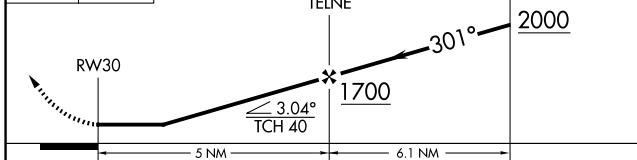
GOODEN AIRPARK (RJD)

RNP APCH - GPS.	MISSED APPROACH: Climb to 2000 direct DAKEY and hold.
▼ Procedure NA at night. Use Easton altimeter setting; when not received, procedure NA. Rwy 30 helicopter visibility reduction below 1 SM NA.	

ESN AWOS-3PT 124.475	DOVER APP CON 132.425 257.875	UNICOM 122.8 (CTAF)
--------------------------------	---	-------------------------------

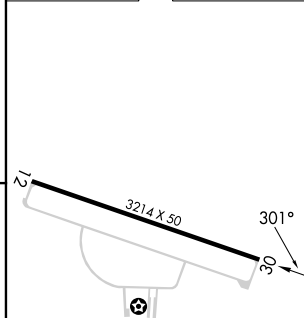


2000	DAKEY
↑	✧



CATEGORY	A	B	C	D
LNAV MDA	660-1	596 (600-1)		NA
CIRCLING	660-1	596 (600-1)		NA

ELEV 64	TDZE 64
---------	---------



LIRL Rwy 12-30	⓪
REIL Rwy 12 and 30	⓪

NE-3, 16 APR 2026 to 14 MAY 2026

NE-3, 16 APR 2026 to 14 MAY 2026