

APP CRS 326	Rwy Ldg TDZE Apt Elev	N/A N/A 5076
-----------------------	-----------------------------	---

RNAV (GPS)-A

CHALLIS (LLJ)

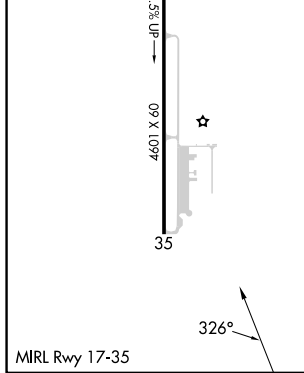
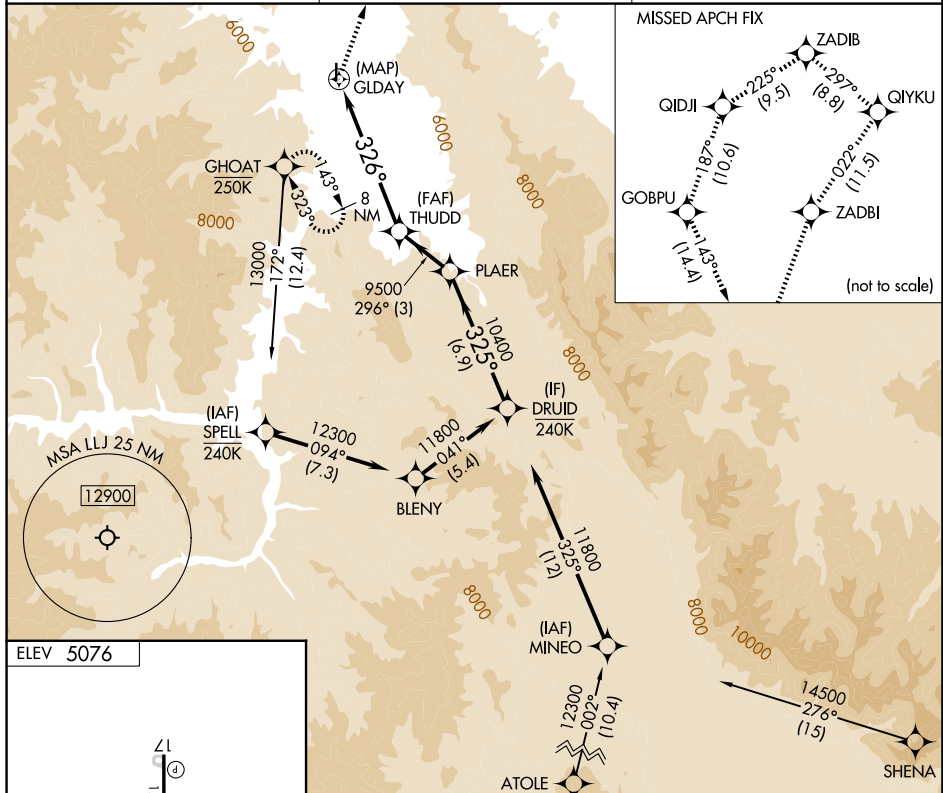
RNP APCH - GPS.

▼ Rwy 17 and 35 helicopter visibility reduction below 1 SM NA.

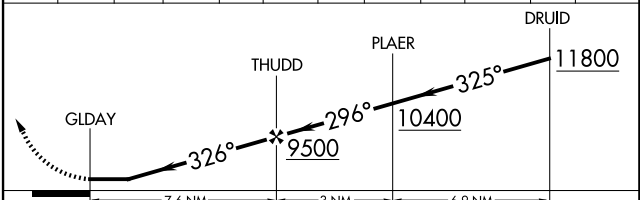
▲ NA Procedure NA at night. Circling NA west of Rwy 17-35.

MISSED APPROACH: Climb to 14000 on the RNAV missed approach route to GHOAT and hold.

ASOS 119.275	SALT LAKE CENTER 132.4 338.3	UNICOM 122.8 (CTAF)
------------------------	--	-------------------------------



14000	ZADIB	QIYKU	ZADIB	QIDJI	GOBPU	GHOAT
↑	tr 022°	tr 297°	tr 225°	tr 187°	tr 143°	



CATEGORY	A	B	C	D
CIRCLING	6680-1¼ 1604 (1700-1¼)	6680-1½ 1604 (1700-1½)	6840-3 1764 (1800-3)	7880-3 2804 (2900-3)

NW-1, 16 APR 2026 to 14 MAY 2026

NW-1, 16 APR 2026 to 14 MAY 2026