

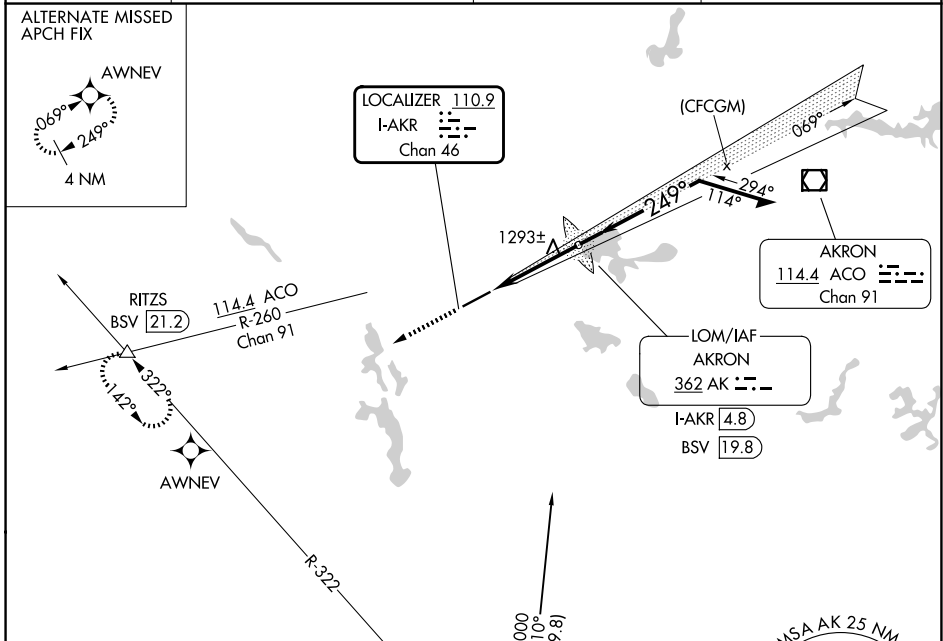
LOC/DME I-AKR 110.9 Chan 46	APP CRS 249°	Rwy Ldg TDZE Apt Elev	6074 1059 1068
---	------------------------	-----------------------------	---

LOC RWY 25
AKRON FULTON INTL (AKR)

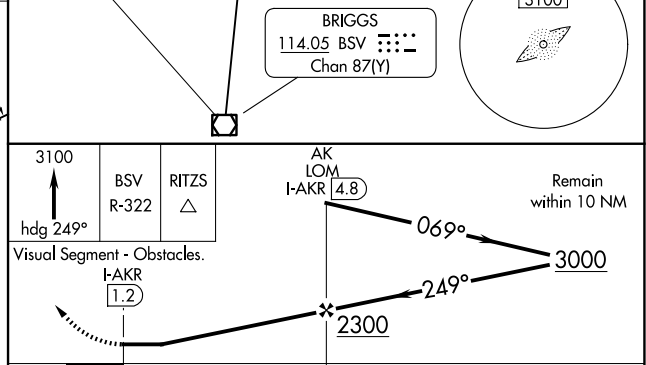
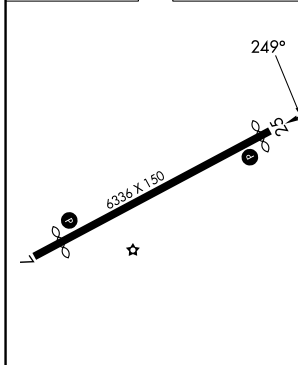
ADF or DME or RADAR required for procedure entry.

MISSED APPROACH: Climb to 3100 on heading 249° and BSV VOR/DME R-322 to RITZS INT/BSV 21.2 DME and hold.

ASOS 126.825	CLEVELAND APP CON * 125.5 371.875	CLNC DEL 121.6	UNICOM 123.075 (CTAF) 0
------------------------	---	--------------------------	-----------------------------------



ELEV 1068	TDZE 1059
-----------	-----------



CATEGORY	A	B	C	D
S-LOC 25	1560-1	501 (500-1)	1560-1 $\frac{3}{8}$	501 (500-1 $\frac{3}{8}$)
CIRCLING	1600-1 532 (600-1)	1680-1 612 (700-1)	1800-2 732 (800-2)	1840-2 $\frac{1}{2}$ 772 (800-2 $\frac{1}{2}$)

FAF to MAP 3.7 NM					
Knots	60	90	120	150	180
Min:Sec	3:42	2:28	1:51	1:29	1:14

EC-2, 14 MAY 2026 to 11 JUN 2026

EC-2, 14 MAY 2026 to 11 JUN 2026