

# CLOUD-FOUR ALPHA DEPARTURE (CLOUA4•CLOUD)

ALAMOGORDO, NEW MEXICO

ATIS ★ 273.5  
 CLNC DEL  
 126.7 289.4  
 GND CON  
 127.05 275.8  
 TOWER ★  
 119.3 254.4  
 DEP CON  
 128.1 284.0  
 ALBUQUERQUE CENTER  
 132.65 257.6

AL-7 [USAF]

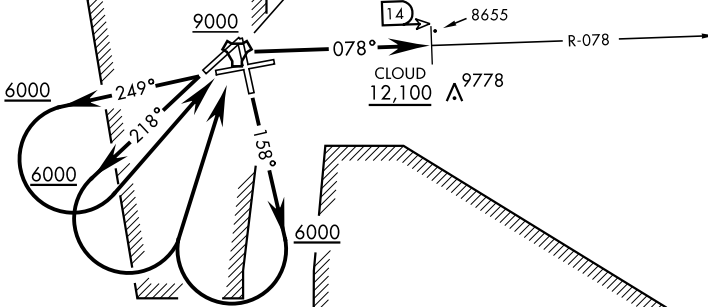
Rwy	Knots	60	120	180	240	300	360
16/25	V/V(fpm)	450	900	1350	1800	2250	2270
22	V/V(fpm)	440	880	1320	1760	2200	2640

Minimum climb to 12,100

BEAK B MOA

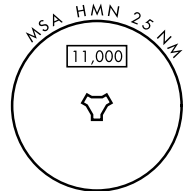
BEAK C MOA

HOLLOMAN  
 Chan 92 HMN



**RADAR REQUIRED WHEN  
 R-5103C NOT UNDER  
 HOLLOMAN APPROACH  
 OR CHEROKEE  
 CONTROL**

R-5103C



## DEPARTURE ROUTE DESCRIPTION

**TAKEOFF RWY 16:** Climb on track 158°. When leaving 6000 turn right direct HMN TACAN, then proceed via HMN R-078 to CLOUD (HMN R-078/14), then via assigned routing. Cross HMN at or above 9000. Cross CLOUD at or above 12,100.

**TAKEOFF RWY 22:** Climb on track 218°. When leaving 6000 turn left direct HMN TACAN, then proceed via HMN R-078 to CLOUD (HMN R-078/14), then via assigned routing. Cross HMN at or above 9000. Cross CLOUD at or above 12,100.

**TAKEOFF RWY 25:** Climb on track 249°. When leaving 6000 turn left direct HMN TACAN, then proceed via HMN R-078 to CLOUD (HMN R-078/14), then via assigned routing. Cross HMN at or above 9000. Cross CLOUD at or above 12,100.

# CLOUD-FOUR ALPHA DEPARTURE (CLOUA4•CLOUD)

ALAMOGORDO, NEW MEXICO

HOLLOMAN AFB (KHMN)