

APP CRS	Rwy Ldg	N/A
117°	TDZE	N/A
	Apt Elev	1763

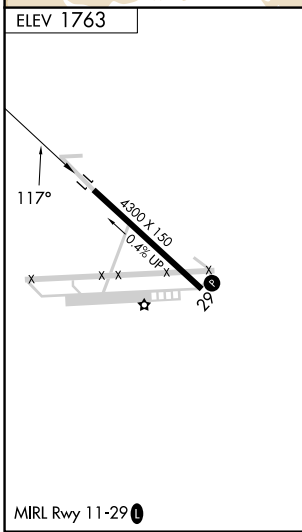
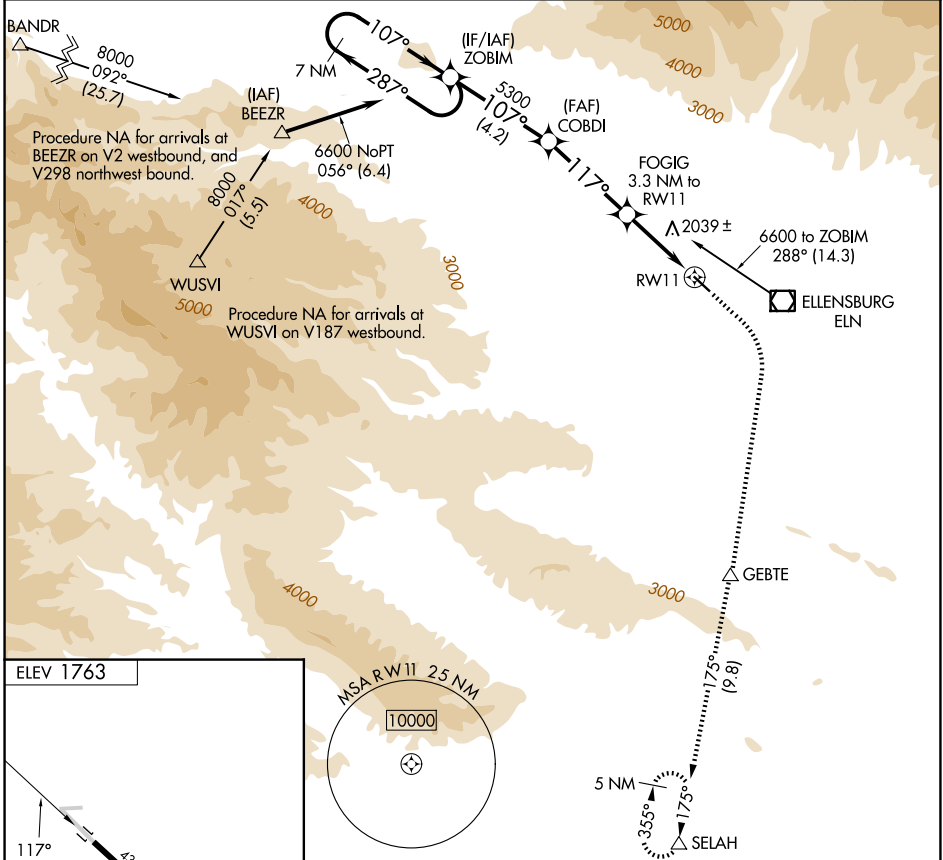
# RNAV (GPS)-C

BOWERS FLD (ELN)

**⚠** DME/DME RNP-0.3 NA. When local altimeter setting not received, use Pangborn Memorial altimeter setting: Increase all MDA 140 feet; increase Cats B/C visibility ¼ SM.

**MISSED APPROACH:** Climb to 2700 then climbing right turn to 5500 direct GEBTE and on track 175° to SELAH and hold.

ASOS <b>118.375</b>	SEATTLE CENTER <b>132.6 269.35</b>	UNICOM <b>123.0 (CTAF) 0</b>
------------------------	---------------------------------------	---------------------------------



	7 NM Holding Pattern	ZOBIM	COBDI	FOGIG 3.3 NM to RW11	RW11	SELAH
	6600	5300	3880	2700	5500	GEBTE
	287°	107°	117°	175°	175°	175°
	4.2 NM	3.8 NM	3.3 NM	5.91° TCH 40	tr 175°	
CATEGORY	A	B	C	D		
CIRCLING	2660-1¼	897 (900-1¼)	2660-2¾ 897 (900-2¾)	2760-3 997 (1000-3)		

NW-1, 14 MAY 2026 to 11 JUN 2026

NW-1, 14 MAY 2026 to 11 JUN 2026