

**TOP ALTITUDE:
16000**

(AEX3.AEX) 25331
ALEXANDRIA THREE DEPARTURE

AL-198 (FAA)

WILLIAM P HOBBY (HOT)
HOUSTON, TEXAS

HOUSTON DEP CON
132.25 285.425
D-ATIS
124.6
CLNC DEL
125.45
CPDLC
GND CON
121.9
HOBBY TOWER
118.7 256.9

LUFKIN
112.1 LFK
Chan 58

ALEXANDRIA
116.1 AEX
Chan 108

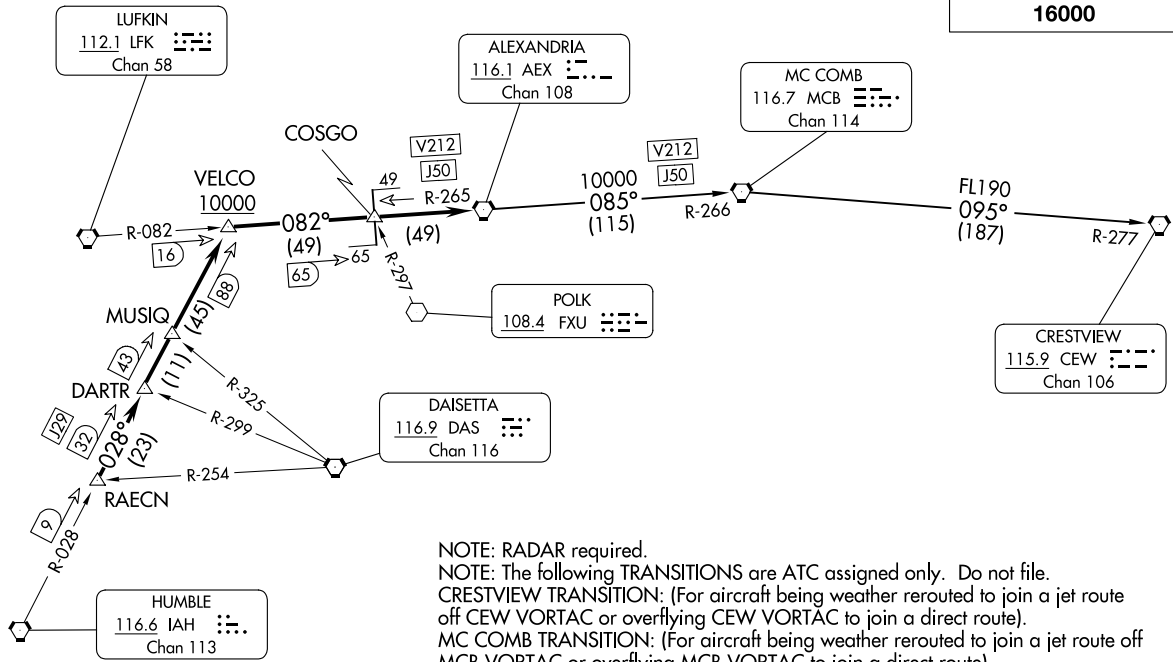
MC COMB
116.7 MCB
Chan 114

POLK
108.4 FXU

DAISETTA
116.9 DAS
Chan 116

HUMBLE
116.6 IAH
Chan 113

CRESTVIEW
115.9 CEW
Chan 106



NOTE: RADAR required.
 NOTE: The following TRANSITIONS are ATC assigned only. Do not file.
 CRESTVIEW TRANSITION: (For aircraft being weather rerouted to join a jet route off CEW VORTAC or overflying CEW VORTAC to join a direct route).
 MC COMB TRANSITION: (For aircraft being weather rerouted to join a jet route off MCB VORTAC or overflying MCB VORTAC to join a direct route).

TAKEOFF MINIMUMS
 Rwy 4, 13L/R, 31L/R: Standard.
 Rwy 22: Standard with minimum climb of 290' per NM to 1500.

(CONTINUED ON FOLLOWING PAGE)

NOTE: Chart not to scale.

ALEXANDRIA THREE DEPARTURE
(AEX3.AEX) 070C121

HOUSTON, TEXAS
WILLIAM P HOBBY (HOT)

ALEXANDRIA THREE DEPARTURE



DEPARTURE ROUTE DESCRIPTION

TAKEOFF RUNWAYS 4, 13L/R, 22: Climb on assigned heading for RADAR vectors to RAECN INT, maintain 16000. Expect filed altitude 10 minutes after departure, thence. . . .

TAKEOFF RUNWAYS 31L/R: Climb on heading 311° to 800 before turning, then climb on assigned heading for RADAR vectors to RAECN INT, maintain 16000. Expect filed altitude 10 minutes after departure, thence. . . .

. . . .on IAH R-028 to VELCO INT, cross VELCO INT at or above 10000, then right turn on LFK R-082 and AEX R-265 to AEX VORTAC.

CRESTVIEW TRANSITION (AEX3.CEW): From over AEX VORTAC on AEX R-085 and MCB R-266 to MCB VORTAC, then on MCB R-095 and CEW R-277 to CEW VORTAC.

MC COMB TRANSITION (AEX3.MCB): From over AEX VORTAC on AEX R-085 and MCB R-266 to MCB VORTAC.

SC-5, 14 MAY 2026 to 11 JUN 2026

SC-5, 14 MAY 2026 to 11 JUN 2026