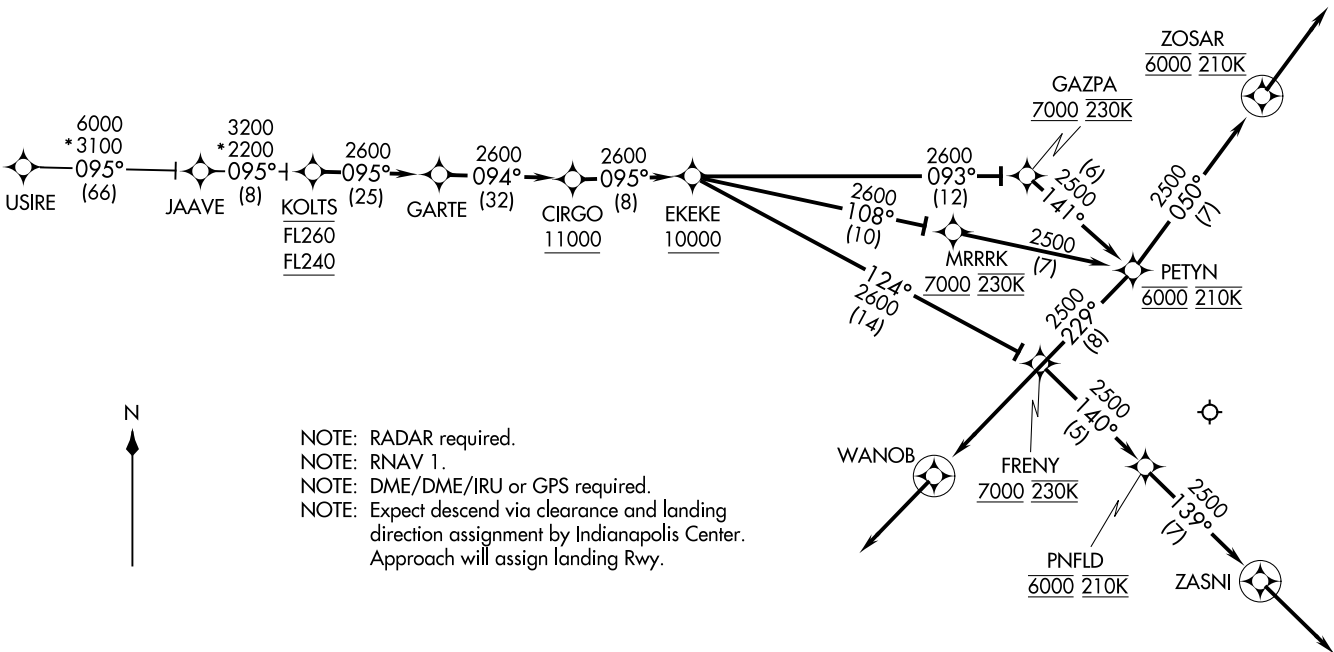


KOLTS TWO ARRIVAL (RNAV)
(KOLTS, KOLTS2) 10 NOV 16

INDIANAPOLIS APP CON
128.175 317.8
D-ATIS
134.25



NOTE: RADAR required.
 NOTE: RNAV 1.
 NOTE: DME/DME/IRU or GPS required.
 NOTE: Expect descend via clearance and landing direction assignment by Indianapolis Center. Approach will assign landing Rwy.

(NARRATIVE ON FOLLOWING PAGE)

INDIANAPOLIS, INDIANA
INDIANAPOLIS INTL (IND)

(KOLTS, KOLTS2) 17173
KOLTS TWO ARRIVAL (RNAV)

AL-203 (FAA)

INDIANAPOLIS INTL (IND)
INDIANAPOLIS, INDIANA

NOTE: Chart not to scale.

ARRIVAL ROUTE DESCRIPTION

JAAVE TRANSITION (JAAVE.KOLTS2):

USIRE TRANSITION (USIRE.KOLTS2):

From KOLTS on track 095° to GARTE, then on track 094° to cross CIRGO at or above 11000, then on track 095° to cross EKEKE at or above 10000.

LANDING RWYS 5L/R: From EKEKE on track 093° to cross GAZPA at or above 7000 and at 230K, then on track 141° to cross PETYN at 6000 and at 210K, then on track 229° to WANOB, then on track 229°. Expect RADAR vectors to final approach course.

LANDING RWYS 23L/R: From EKEKE on track 108° to cross MRRRK at or above 7000 and at 230K, then on track 108° to cross PETYN at 6000 and at 210K, then on track 050° to cross ZOSAR at 6000 and at 210K, then on track 050°. Expect RADAR vectors to final approach course.

LANDING RWY 32: From EKEKE on track 124° to cross FRENY at or above 7000 and at 230K, then on track 140° to cross PNFLD at 6000 and at 210K, then on track 139° to ZASNI, then on track 139°. Expect RADAR vectors to final approach course.

LOST COMMUNICATIONS: In the event of lost communication prior to runway assignment, execute ILS or LOC Rwy 23R approach.

EC-2, 14 MAY 2026 to 11 JUN 2026

EC-2, 14 MAY 2026 to 11 JUN 2026