

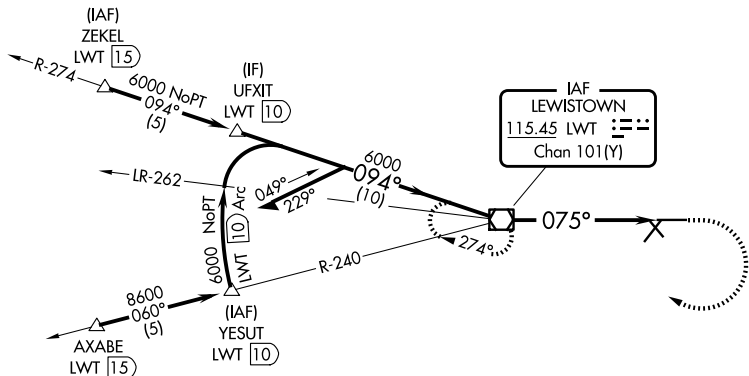
VOR/DME LWT 115.45 Chan 101(Y)	APP CRS 075°	Rwy Ldg 6100 TDZE 4129 Apt Elev 4170
--	------------------------	---

VOR RWY 8

LEWISTOWN MUNI (LWT)

⚠ MISSED APPROACH: Climb to 6000 then climbing right turn to 6900 direct LWT VOR/DME and hold.

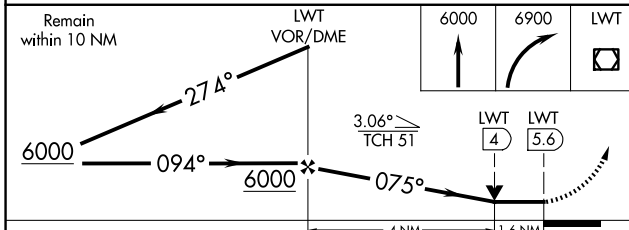
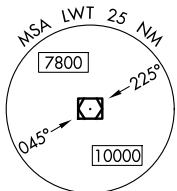
ASOS 118.375	SALT LAKE CENTER 133.4 285.4	UNICOM 123.0 (CTAF) ①
------------------------	--	---------------------------------



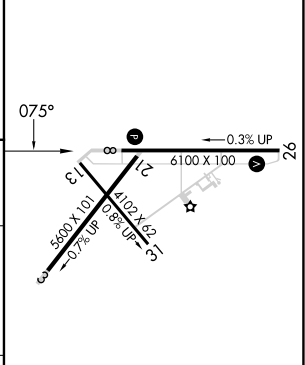
IAF
LEWISTOWN
115.45 LWT
Chan **101(Y)**

NW-1, 14 MAY 2026 to 11 JUN 2026

NW-1, 14 MAY 2026 to 11 JUN 2026



ELEV 4170 **D** TDZE 4129



CATEGORY	A	B	C	D
S-8	4680-1	551 (600-1)	4680-1 5/8	551 (600-1%)
CIRCLING	4680-1 510 (600-1)	4820-1 650 (700-1)	4980-2 1/4 810 (900-2 1/4)	5240-3 1070 (1100-3)

REIL Rwy 8 and 26 **①**
MIRL Rwy 8-26 and 13-31 **①**
FAF to MAP 5.6 NM

Knots	60	90	120	150	180
Min:Sec	5:36	3:44	2:48	2:14	1:52