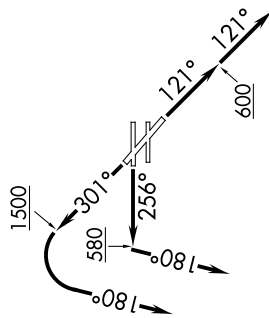


SW-3, 14 MAY 2026 to 11 JUN 2026

- ATIS 127.75
- CINC DEL 118.15
- GND CON 133.0 257.6
- LONG BEACH TOWER\* 119.4 257.6 (Rwy 12)
- SOCAL DEP CON 120.5 257.6 (Rwy 30)
- 125.35 316.125 (Rwy 12)
- 127.2 269.6 (Rwy 26R, 30)



DEPARTURE ROUTE DESCRIPTION

**TAKEOFF RUNWAY 12:** Climb heading 121° to 600, then on heading 121° or as assigned by ATC for vectors to cross FRITR at or above 5000, then on track 076° to DOTSS, thence. . . .

**TAKEOFF RUNWAY 26R:** Climb heading 256° to 580, then on heading 180° or as assigned by ATC for vectors to cross FRITR at or above 5000, then on track 076° to DOTSS, thence. . . .

**TAKEOFF RUNWAY 30:** Climb heading 301° to 1500, then left turn heading 180° or as assigned by ATC for vectors to cross FRITR at or above 5000, then on track 076° to DOTSS, thence. . . .

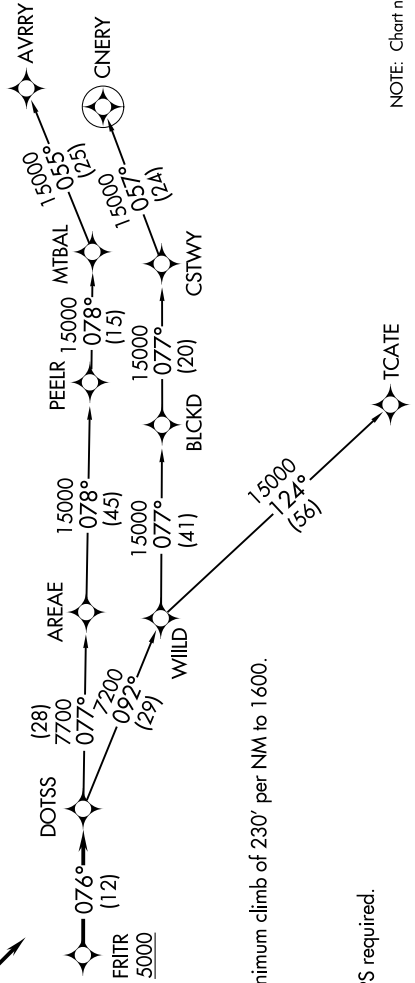
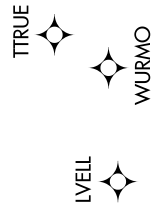
. . . on (transition). Maintain 17000. Expect higher altitude 10 minutes after departure.

- AVRRY TRANSITION (FRITR3.AVRRY)
- CNERY TRANSITION (FRITR3.CNERY)
- TCATE TRANSITION (FRITR3.TCATE)

**TOP ALTITUDE:**  
17000

**TAKEOFF MINIMUMS**  
Rwys 8L/R, 26L: NA-ATC.  
Rwys 12, 30: Standard.  
Rwy 26R: Standard with a minimum climb of 230' per NM to 1600.

- NOTE: RADAR required.
- NOTE: RNAV 1.
- NOTE: DME/DME/IRU or GPS required.
- NOTE: Turbojet aircraft only.



NOTE: Chart not to scale.

SW-3, 14 MAY 2026 to 11 JUN 2026