

# TACAN Y RWY 4L

TACAN SSC Chan <b>38</b>	APCH CRS <b>043°</b>	Rwy Idg TDZE <b>240</b> Arpt Elev <b>241</b>	4L <b>10,014</b>	4R <b>8014</b> <b>236</b> <b>241</b>
-----------------------------	-------------------------	--	---------------------	---

[USAF]

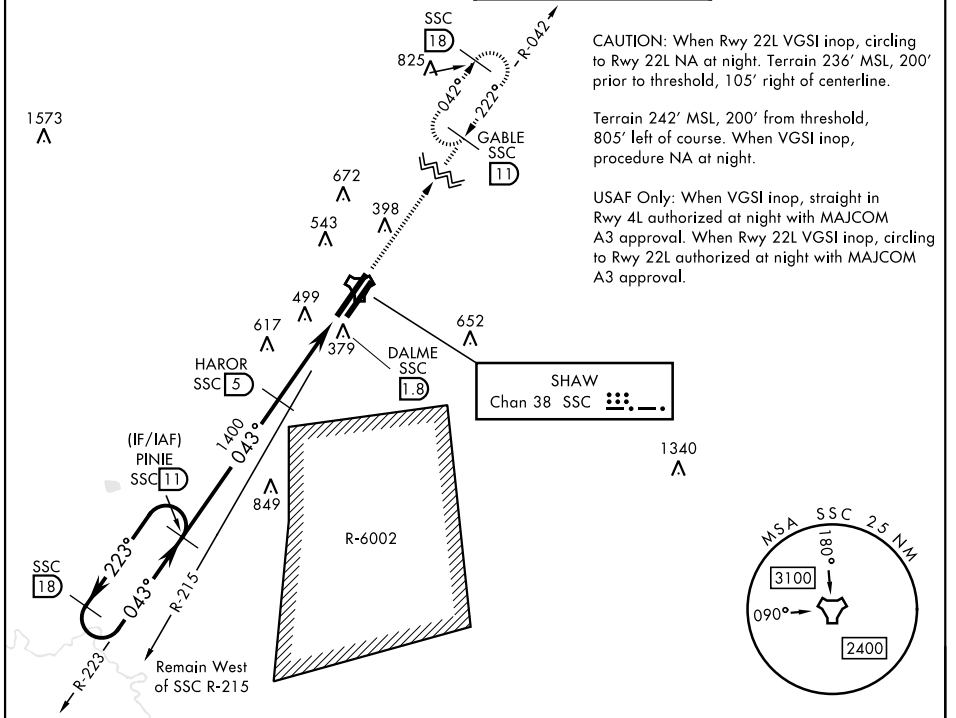
SHAW AFB (KSSC)

RADAR required when R-6002 active.

ALSF-1

MISSED APPROACH: Climbing to 2000, intercept SSC TACAN R-042 to GABLE and hold.

ATIS★ <b>132.125 270.1</b>	APP CON★ <b>125.4 318.1</b>	TOWER★ <b>126.65 254.25</b>	GND CON <b>126.1 275.8</b>
-------------------------------	--------------------------------	--------------------------------	-------------------------------



CAUTION: When Rwy 22L VGSi inop, circling to Rwy 22L NA at night. Terrain 236' MSL, 200' prior to threshold, 105' right of centerline.

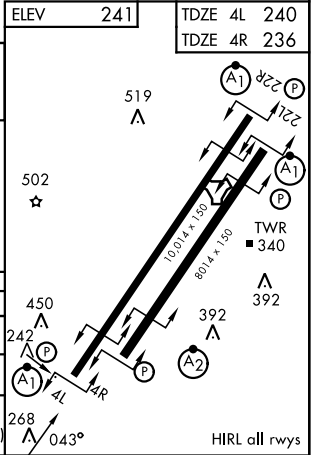
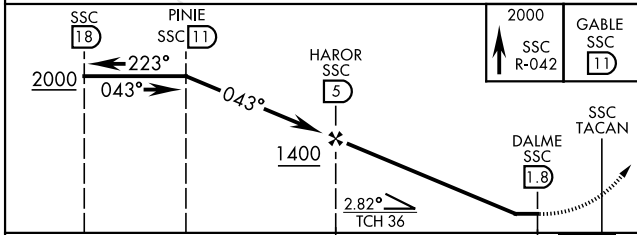
Terrain 242' MSL, 200' from threshold, 805' left of course. When VGSi inop, procedure NA at night.

USAF Only: When VGSi inop, straight in Rwy 4L authorized at night with MAJCOM A3 approval. When Rwy 22L VGSi inop, circling to Rwy 22L authorized at night with MAJCOM A3 approval.

SE-2, 14 MAY 2026 to 11 JUN 2026

SE-2, 14 MAY 2026 to 11 JUN 2026

EMERG SAFE ALT 100 NM 3800



CATEGORY	A	B	C	D	E
S-4L *	800/50	560 (600-1)	800/60	560 (600-1½)	
SIDESTEP * 4R	800/50	564 (600-1)	800-1¾	564 (600-1½)	
CIRCLING	820-1 579 (600-1)	880-1 639 (700-1)	1000-2¼ 759 (800-2¼)	1000-2½ 759 (800-2½)	1000-2¾ 759 (800-2¾)

# TACAN Y RWY 4L