

APP CRS 339°	Rwy Ldg TDZE Apt Elev	N/A N/A 247
------------------------	-----------------------------	--

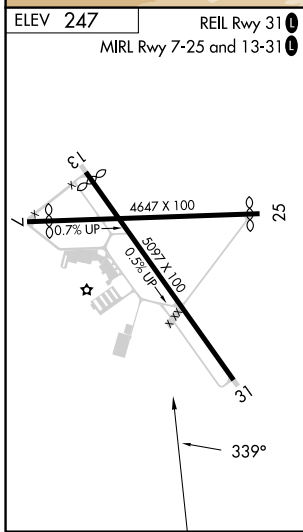
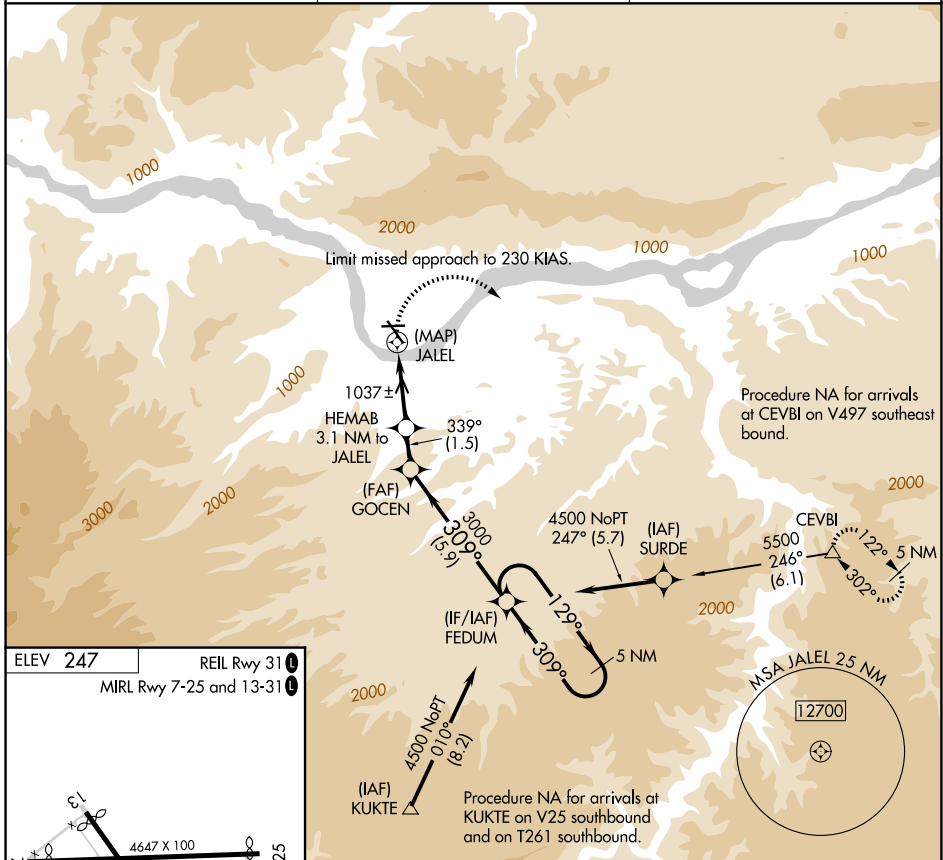
RNAV (GPS)-A

COLUMBIA GORGE RGNL/THE DALLES MUNI(DLS)

⚠ Circling to Rwy 7, 31 NA at night. When local altimeter setting not received, procedure NA. Circling NA for Cat D north of Rwy 7 and northeast of Rwy 31. DME/DME RNP-0.3 NA.

⚠ MISSED APPROACH: Climbing right turn to 4500 direct CEVBI and hold.

ASOS 135.175	SEATTLE CENTER 119.65 257.6	UNICOM 123.0 (CTAF) ①
------------------------	---------------------------------------	---------------------------------



4500	CEVBI △	FEDUM 5 NM Holding Pattern			
HEMAB 3.1 NM to JALEL		GOCEN	FEDUM	5 NM Holding Pattern	
JALEL	339°	309°	129°	4500	
	2120	3000	309°		
	3.1 NM	1.5 NM	5.9 NM		
CATEGORY	A	B	C	D	
CIRCLING	1320-1¼ 1073 (1100-1¼)	1340-1½ 1093 (1100-1½)	1720-3 1473 (1500-3)	2100-3 1853 (1900-3)	

NW-1, 14 MAY 2026 to 11 JUN 2026

NW-1, 14 MAY 2026 to 11 JUN 2026