

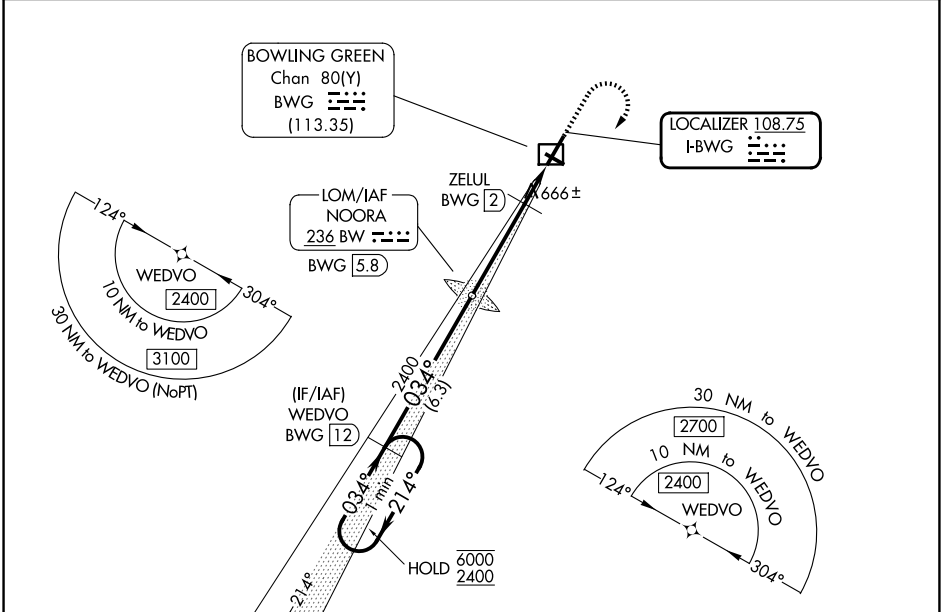
LOC I-BWG	APP CRS	Rwy Ldg	<b>6500</b>
<b>108.75</b>	<b>034°</b>	TDZE	<b>547</b>
		Apt Elev	<b>547</b>

# ILS Z or LOC Z RWY 3

BOWLING GREEN-WARREN COUNTY RGNL (BWG)

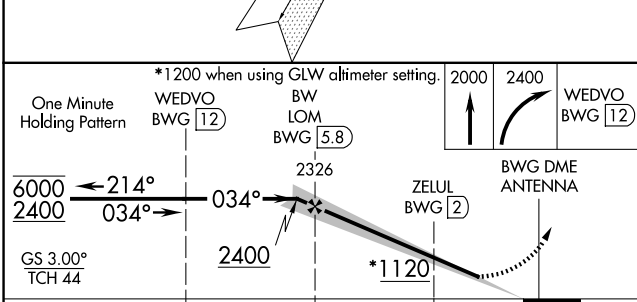
RNP APCH - GPS.		MISSED APPROACH: Climb to 2000 then climbing right turn to 2400 direct WEDVO and hold.
Circling Rwy 30 NA at night. † DME from BWG DME.		

ASOS <b>127.825</b>	MEMPHIS CENTER <b>133.85 285.5</b>	UNICOM <b>123.0 (CTAF) 0</b>
------------------------	---------------------------------------	---------------------------------



SE-1, 14 MAY 2026 to 11 JUN 2026

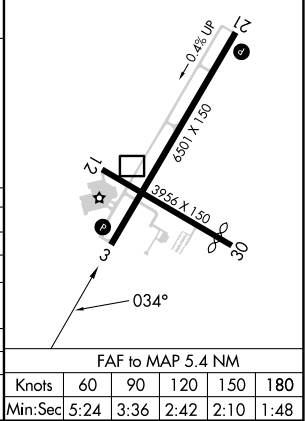
SE-1, 14 MAY 2026 to 11 JUN 2026



ELEV 547	<b>D</b> TDZE 547
----------	-------------------

REIL Rwys 3 and 21  
 MIRL Rwy 12-30  
 HIRL Rwy 3-21

CATEGORY	A	B	C	D
S-ILS 3	797-3/4 250 (300-3/4)			
S-LOC 3*	1120-1	573 (600-1)	1120-1 5/8	573 (600-1 5/8)
CIRCLING	1120-1	573 (600-1)	1160-1 3/4 613 (700-1 3/4)	1200-2 653 (700-2)
ZELUL FIX MINIMUMS † (DME REQUIRED)				
S-LOC 3*	920-1 373 (400-1)			
CIRCLING	1080-1 533 (600-1)	1120-1 573 (600-1)	1160-1 3/4 613 (700-1 3/4)	1200-2 653 (700-2)



FAF to MAP 5.4 NM					
Knots	60	90	120	150	180
Min:Sec	5:24	3:36	2:42	2:10	1:48