

ST AUGUSTINE, FLORIDA

AL-692 (FAA)

25331

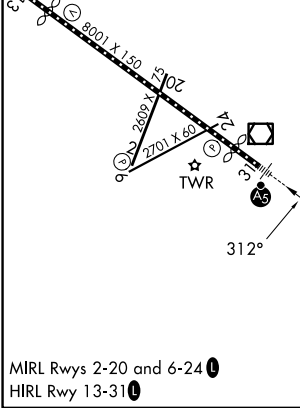
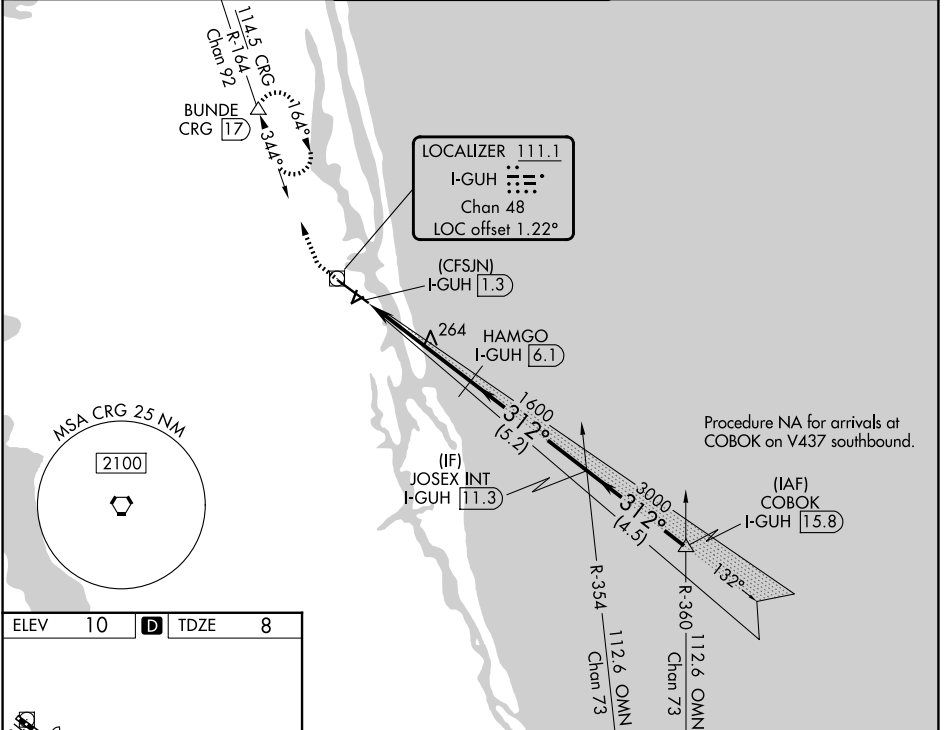
LOC/DME I-GUH 111.1 Chan 48	APP CRS 312°	Rwy Ldg 5925 TDZE 8 Apt Elev 10
---	------------------------	--

ILS or LOC RWY 31

ST AUGUSTINE (SGJ)

DME required.		MALSR	MISSED APPROACH: Climb to 3000 on heading 312° and on CRG VORTAC R-164 to BUNDE/CRG 17 DME and hold, continue climb-in-hold to 3000.
<p>Circling Rwy 2, 6 NA at night. For inop ALS, increase S-LOC 31 Cat C/D visibility to 1½ SM.</p>			

ATIS 119.625	JACKSONVILLE APP CON 120.75	ST AUGUSTINE TOWER ★ 127.625 (CTAF) 269.475	GND CON 121.175 251.125	UNICOM 122.95
------------------------	---------------------------------------	---	-----------------------------------	-------------------------



3000	CRG R-164	BUNDE	VGSi and ILS glidepath not coincident (VGSi Angle 3.00/TCH 54).	
hdg 312°			JOSEX INT I-GUH 11.3	COBOK I-GUH 15.8
*LOC only.	*I-GUH 2.7	HAMGO I-GUH 6.1		
(CFSJN) I-GUH 1.3	1600	312°	312°	3000
		1600		GS 3.00° TCH 57
	1.4 NM	3.4 NM	5.2 NM	4.5 NM
CATEGORY	A	B	C	D
S-ILS 31	258-½		250 (300-½)	
S-LOC 31	520-½	512 (600-½)	520-1	512 (600-1)
CIRCLING	520-1	580-1	680-1¾	740-2½
	510 (600-1)	570 (600-1)	670 (700-1¾)	730 (800-2½)

ST AUGUSTINE, FLORIDA
Amdt 1A 12AUG21

29°58'N-81°20'W

ILS or LOC RWY 31

ST AUGUSTINE (SGJ)

SE-3, 14 MAY 2026 to 11 JUN 2026

SE-3, 14 MAY 2026 to 11 JUN 2026