

LOC I-MWO 111.1	APP CRS 233°	Rwy Ldg 5801
		TDZE 650
		Apt Elev 651

LOC RWY 23

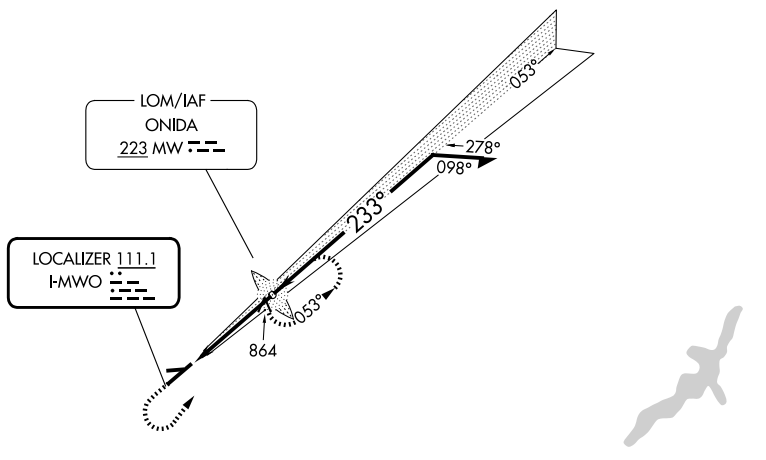
MIDDLETOWN RGNL/HOOK FLD (MWO)

ADF required.

▽ Rwy 23 helicopter visibility reduction below $\frac{3}{4}$ SM NA. Circling NA to Rwys 8 and 26.
△ NA Circling Rwy 5 NA at night. When local altimeter not received use MGY altimeter setting, increase all MDAs 80 feet and S-LOC 23 visibility Cats C and D $\frac{1}{4}$ SM.

MISSED APPROACH: Climb to 2600 then climbing left turn to 3000 direct ONIDA LOM and hold.

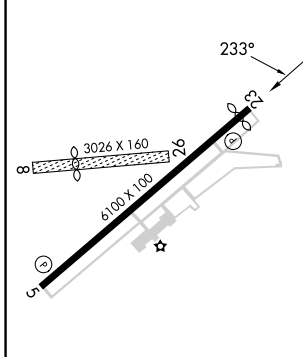
AWOS-3PT 120.025	COLUMBUS APP CON 118.85 269.275	UNICOM 123.0 (CTAF)
----------------------------	---	-------------------------------



EC-2, 14 MAY 2026 to 11 JUN 2026

EC-2, 14 MAY 2026 to 11 JUN 2026

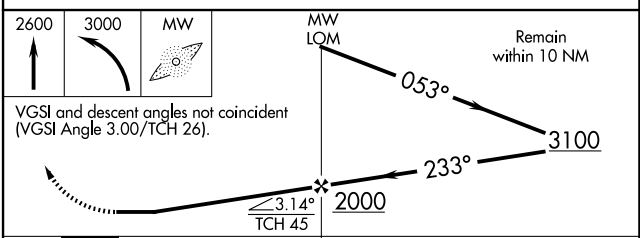
ELEV 651	TDZE 650
----------	----------



MIRL Rwy 5-23
REL Rwys 5 and 23

FAF to MAP 3.9 NM

Knots	60	90	120	150	180
Min:Sec	3:54	2:36	1:57	1:34	1:18



CATEGORY	A	B	C	D
S-LOC 23	1140-1	490 (500-1)	1140-1 $\frac{3}{8}$ 490 (500-1 $\frac{3}{8}$)	1140-1 $\frac{1}{2}$ 490 (500-1 $\frac{1}{2}$)
CIRCLING	1380-1	729 (800-1)	1720-3 1069 (1100-3)	1840-3 1189 (1200-3)

