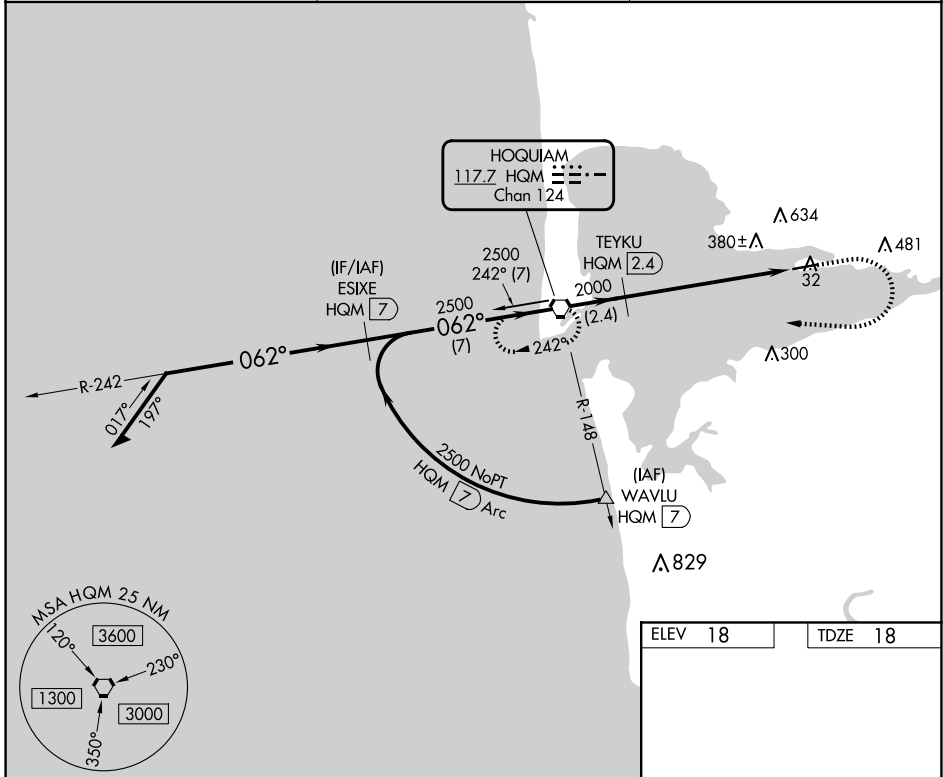


VORTAC HQM 117.7 Chan 124	APP CRS 062°	Rwy Idg TDZE Apt Elev	5000 18 18
---	------------------------	-----------------------------	---------------------------------------

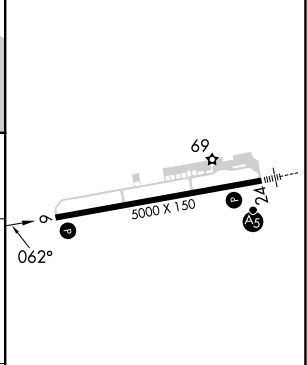
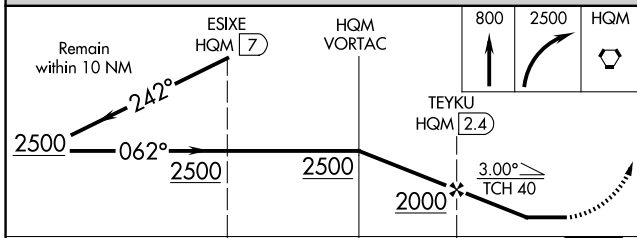
VOR RWY 6
BOWERMAN FLD (HQM)

DME required.	MISSED APPROACH: Climb to 800 then climbing right turn 2500 direct HQM VORTAC and hold, continue climb-in-hold to 2500.
---------------	---

ASOS 135.775	SEATTLE CENTER 128.3 269.0	UNICOM 122.7 (CTAF) 0
------------------------	--------------------------------------	---------------------------------



ELEV 18	TDZE 18
---------	---------



CATEGORY	A	B	C	D
S-6	640-1	622 (700-1)	640-1¾	622 (700-1¾)
CIRCLING	640-1	622 (700-1)	800-2¼ 782 (800-2¼)	840-2¾ 822 (900-2¾)

REIL Rwy 6 0					
HIRL Rwy 6-24 0					
FAF to MAP 6.1 NM					
Knots	60	90	120	150	180
Min:Sec	6:06	4:04	3:03	2:26	2:02

NW-1, 14 MAY 2026 to 11 JUN 2026

NW-1, 14 MAY 2026 to 11 JUN 2026