

WAAS CH 45509 W19A	APP CRS 184°	Rwy Idg TDZE 140 Apt Elev 141	5992
--	------------------------	---	-------------

RNAV (GPS) RWY 19

WAYCROSS-WARE COUNTY (AYS)

⚠ DME/DME RNP-0.3 NA. Baro-VNAV NA when using Alma altimeter setting. When local altimeter setting not received, use Alma altimeter setting: increase LPV DA to 390 feet and LNAV/VNAV DA to 600 feet and all MDA 60 feet; increase LNAV/VNAV visibility all Cats and LNAV Cat C/D visibility 1/4 mile; increase Circling Cat C/D visibility 1/4 mile. For inop MALSR, increase LNAV Cat C/D visibility to 1 1/8 mile. For inop MALSR when using Alma altimeter setting increase LNAV/VNAV visibility all Cats to 1 1/2 mile, and LNAV Cat C/D visibility to 1 3/8 mile. For uncompensated Baro-VNAV systems, LNAV/VNAV NA below -15°C (5°F) or above 54°C (130°F). Night landing Rwy 5, 31 NA.

MALSR

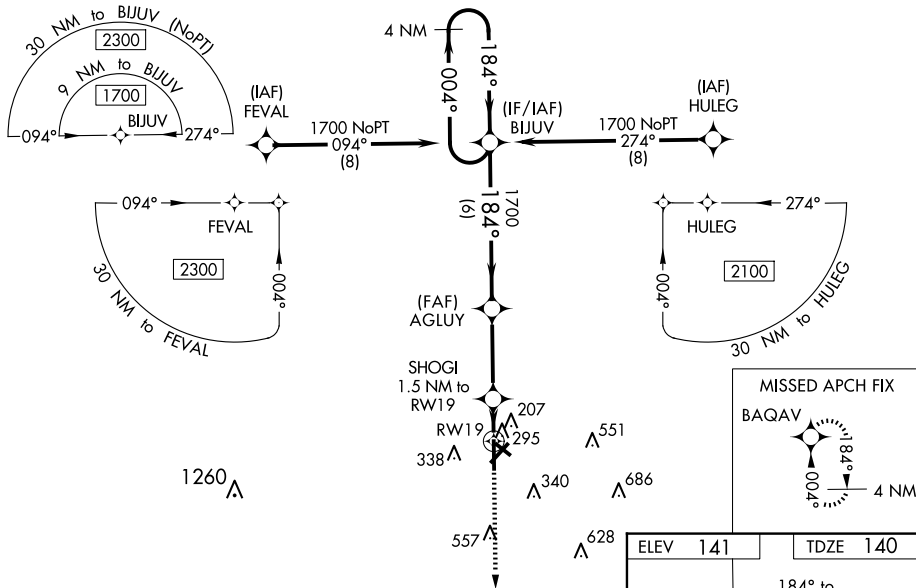


MISSED APPROACH:
Climb to 1800 direct
BAQAV and hold.

AWOS-3
118.575

JACKSONVILLE CENTER
127.575 269.025

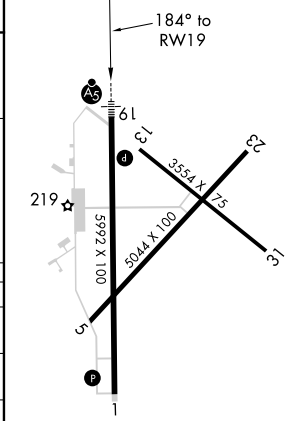
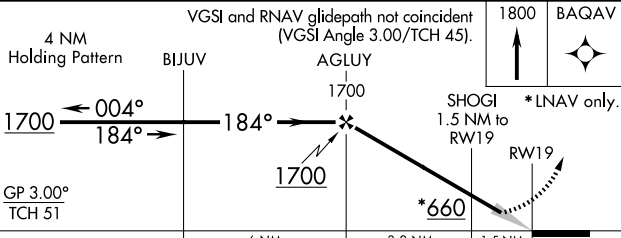
UNICOM
122.8 (CTAF) 0



SE-4, 14 MAY 2026 to 11 JUN 2026

SE-4, 14 MAY 2026 to 11 JUN 2026

ELEV 141	TDZE 140
----------	----------



CATEGORY	A	B	C	D
LPV DA		340-1/2	200 (200-1/2)	
LNAV/VNAV DA		550-7/8	410 (500-7/8)	
LNAV MDA	560-1/2	420 (500-1/2)	560-3/4	420 (500-3/4)
C CIRCLING	660-1 519 (600-1)	720-1 579 (600-1)	860-2 719 (800-2)	860-2 1/4 719 (800-2 1/4)

HIRL Rwy 1-19 **0**
REIL Rwy 19 **0**