

# RNAV (GPS) RWY 25

BARTER ISLAND (BTI)(PABA)

APP CRS <b>252°</b>	Rwy Ldg TDZE Apt Elev	<b>4500</b> <b>51</b> <b>57</b>
------------------------	-----------------------------	---------------------------------------

DME/DME RNP-0.3 NA.  
Helicopter visibility reduction below 3/4 SM NA.

MISSED APPROACH: Climb to 2000 direct HULKS and hold.

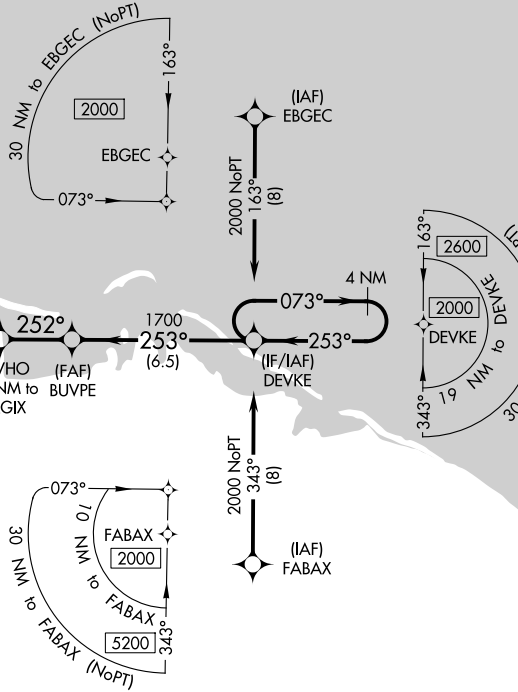
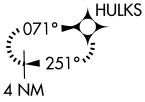
AWOS-3P  
**121.45**

ANCHORAGE CENTER  
**120.6**

DEADHORSE RADIO  
**122.0**

CTAF  
**122.8**

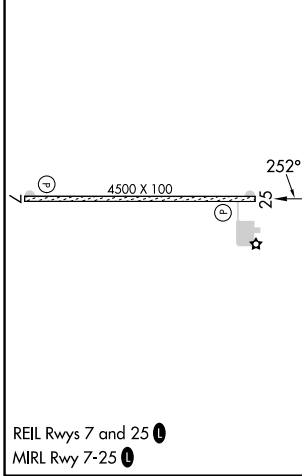
MISSED APCH FIX



AK, 14 MAY 2026 to 09 JUL 2026

AK, 14 MAY 2026 to 09 JUL 2026

ELEV 57	TDZE 51
---------	---------



2000	HULKS	ZUVHO 2.4 NM to CAGIX	BUVPE	DEVKE	4 NM Holding Pattern
0.8 NM to CAGIX	0.8 NM to CAGIX	1700	253°	073°	2000
0.1	0.8	1.6 NM	2.6 NM	6.5 NM	
CATEGORY	A	B	C	D	
LNAV MDA	320-1 269 (300-1)				
CIRCLING	560-1	503 (600-1)	560-1½ 503 (600-1½)	620-2	563 (600-2)