

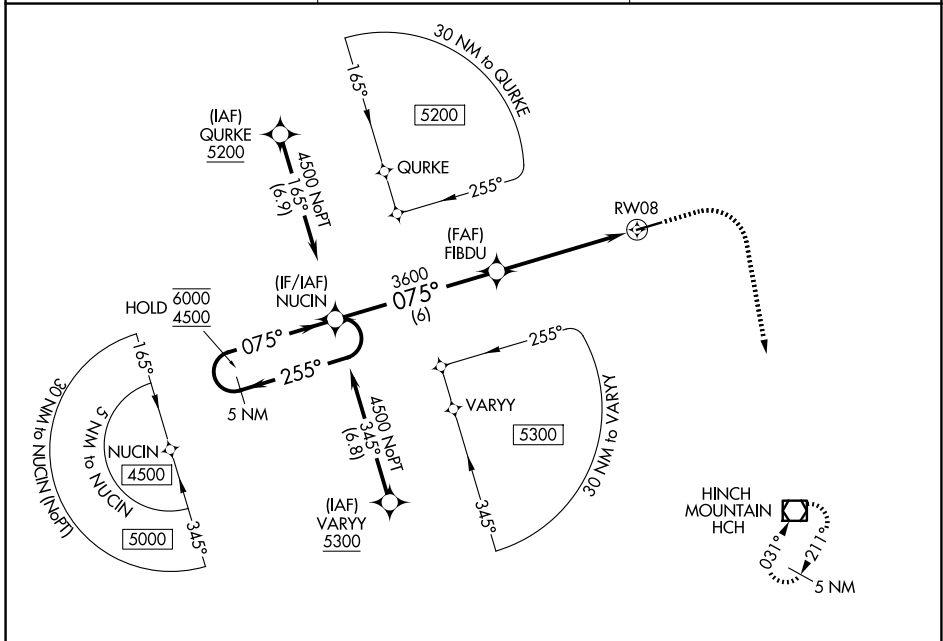
WAAS CH 69247 W08A	APP CRS 075°	Rwy Ldg TDZE 1882 Apt Elev 1882
----------------------------------------	------------------------	-----------------------------------------------------

RNAV (GPS) RWY 8

CROSSVILLE MEML-WHITSON FLD (CSV)

RNP APCH - GPS.	MISSED APPROACH: Climb to 3200 then climbing right turn to 5000 direct HCH VOR/DME and hold.
-----------------	----------------------------------------------------------------------------------------------

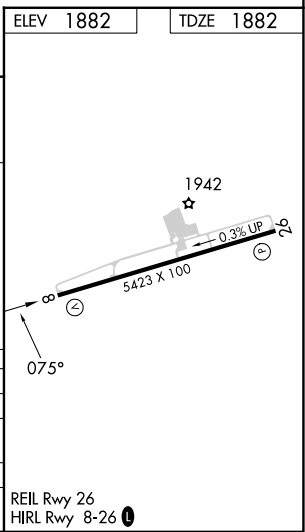
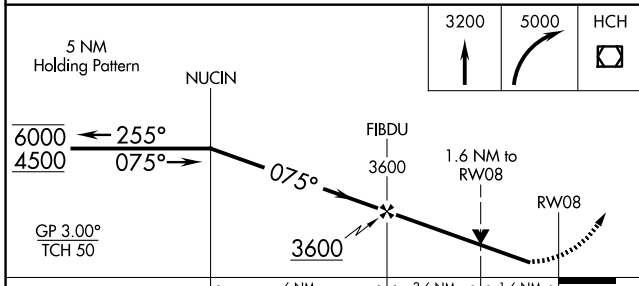
ASOS 120.625	ATLANTA CENTER 133.6 254.3	UNICOM 122.7 (CTAF)
------------------------	--------------------------------------	-------------------------------



SE-1, 14 MAY 2026 to 11 JUN 2026

SE-1, 14 MAY 2026 to 11 JUN 2026

ELEV 1882	TDZE 1882
-----------	-----------



CATEGORY	A	B	C	D
LPV DA	2132-1		250 (300-1)	
LNVA/VNAV DA	2315-1 ¼		433 (500-1 ¼)	
LNVA MDA	2400-1	518 (600-1)	2400-1 ⅜	518 (600-1 ⅜)
CIRCLING	2400-1	518 (600-1)	2400-1 ½	2540-2 658 (700-2)

REIL Rwy 26
HIRL Rwy 8-26