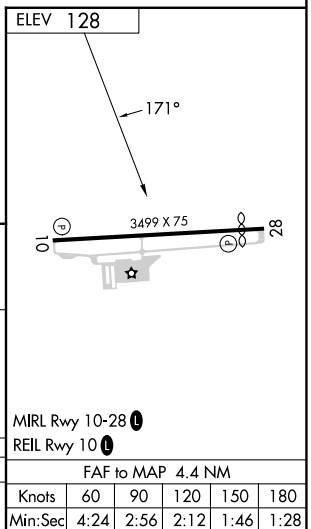
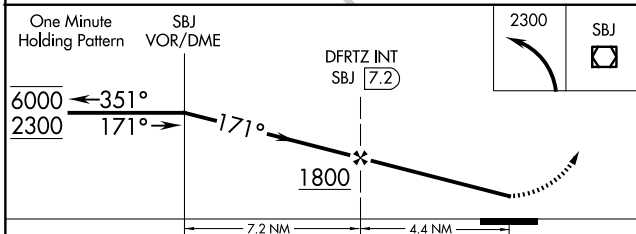
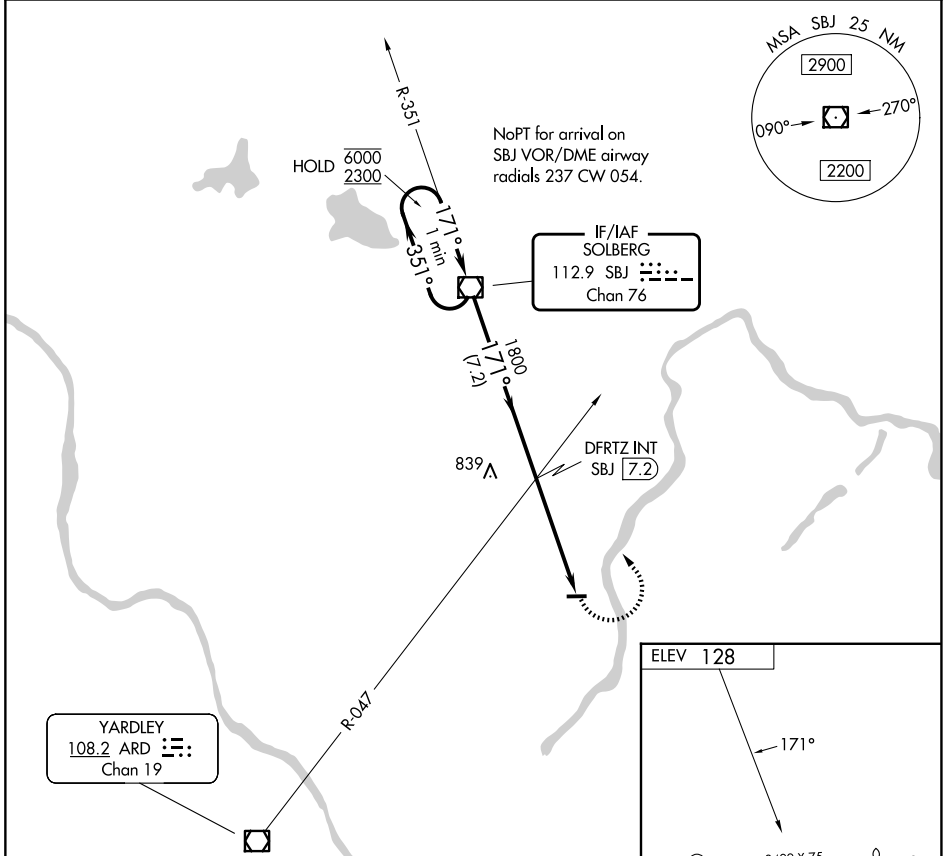


VOR/DME SBJ 112.9 Chan 76	APP CRS 171°	Rwy Ldg TDZE Apt Elev 128	N/A N/A 128
---	------------------------	---	--

VOR-A
PRINCETON (39N)

DME required.	MISSED APPROACH: Climbing left turn to 2300 direct SBJ VOR/DME and hold.
<p>▼ Circling Rwy 28 NA at night. Use Trenton altimeter setting; when not received, use</p> <p>▲ NA Somerville altimeter setting.</p>	

TTN ASOS 126.775	NEWARK APP CON 132.8 379.9	UNICOM 122.725 (CTAF)	123.05 0
----------------------------	--------------------------------------	---------------------------------	-----------------



CATEGORY	A	B	C	D	FAF to MAP 4.4 NM												
CIRCLING	1040-1¼	912 (1000-1¼)	NA		<table border="1"> <tr> <td>Knots</td> <td>60</td> <td>90</td> <td>120</td> <td>150</td> <td>180</td> </tr> <tr> <td>Min:Sec</td> <td>4:24</td> <td>2:56</td> <td>2:12</td> <td>1:46</td> <td>1:28</td> </tr> </table>	Knots	60	90	120	150	180	Min:Sec	4:24	2:56	2:12	1:46	1:28
Knots	60	90	120	150	180												
Min:Sec	4:24	2:56	2:12	1:46	1:28												

NE-2, 14 MAY 2026 to 11 JUN 2026

NE-2, 14 MAY 2026 to 11 JUN 2026