

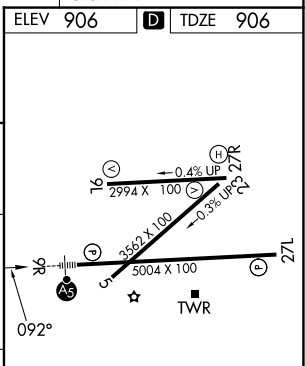
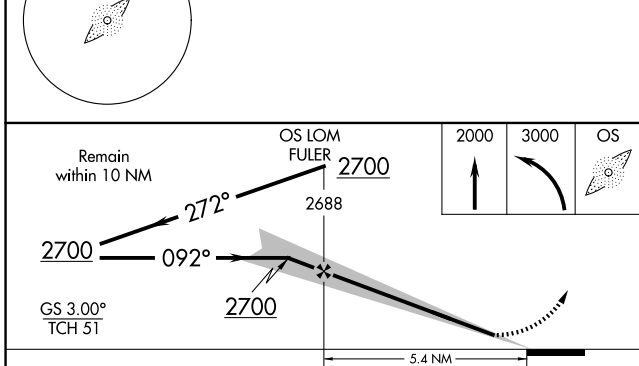
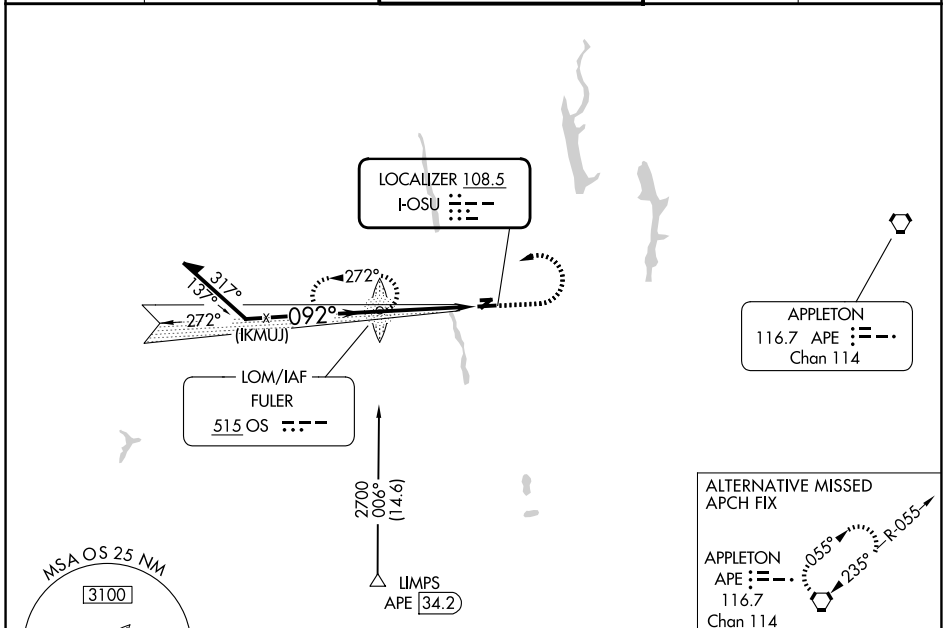
LOC I-OSU 108.5	APP CRS 092°	Rwy Ldg TDZE Apt Elev	5004 906 906
---------------------------	------------------------	-----------------------------	---

ILS or LOC RWY 9R

OHIO STATE UNIVERSITY (OSU)

<p>⚠ Circling Rwy 23 NA at night. For inop ALS, increase S-LOC-9 Cat C and D visibility to 1 1/8 SM.</p>	<p>MALSRL A5</p>	<p>MISSED APPROACH: Climb to 2000 then climbing left turn to 3000 direct FULER LOM and hold, continue climb-in-hold to 3000.</p>
---	-----------------------------	--

<p>ATIS 121.35</p>	<p>COLUMBUS APP CON 125.95 317.775</p>	<p>STATE TOWER ★ 118.8 (CTAF) 254.325</p>	<p>GND CON 121.7</p>	<p>UNICOM 122.95</p>
-------------------------------	---	--	---------------------------------	---------------------------------



CATEGORY	A	B	C	D
S-ILS 9R		1106-1/2	200 (200-1/2)	
S-LOC 9R	1420-1/2	514 (600-1/2)	1420-1	514 (600-1)
CIRCLING	1420-1	514 (600-1)	1420-1 1/2	1680-2 1/2
			514 (600-1 1/2)	774 (800-2 1/2)

ELEV	906	TDZE	906
REIL Rwy 27L HIRL Rwy 9R-27L MIRL Rwy 9L-27R			
FAF to MAP 5.4 NM			
Knots	60	90	120 150 180
Min:Sec	5:24	3:36	2:42 2:10 1:48

EC-2, 14 MAY 2026 to 11 JUN 2026

EC-2, 14 MAY 2026 to 11 JUN 2026