

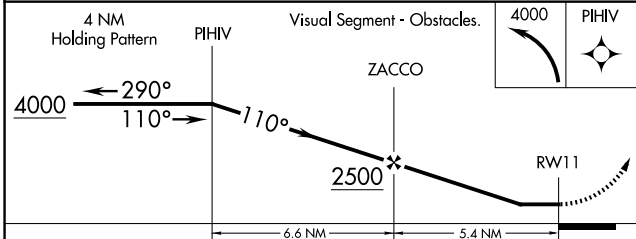
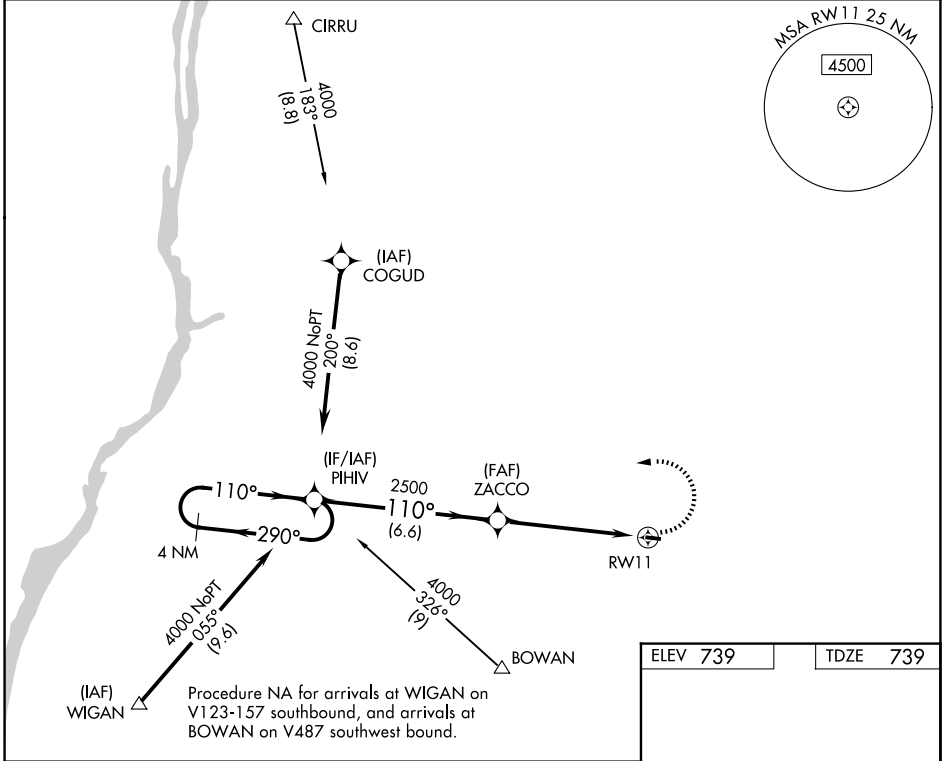
| | | | |
|--|------------------------|-----------------------------|---|
| WAAS CH 58123 W11A | APP CRS 110° | Rwy Ldg TDZE Apt Elev | 2409 739 739 |
|--|------------------------|-----------------------------|---|

RNAV (GPS) RWY 11

GREAT BARRINGTON (GBR)

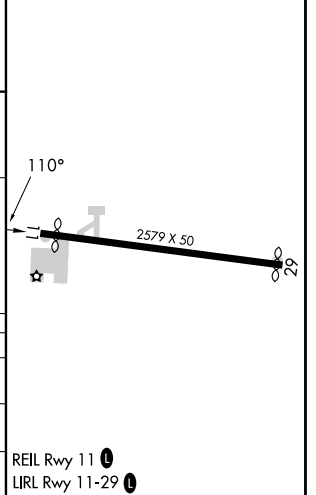
| | | |
|--------------------------------------|---|--|
| <p>NA</p> <p>-19°C</p> | <p>Obtain local altimeter setting on CTAF; when not received, use Pittsfield altimeter setting and increase all MDA 100 feet. DME/DME RNP-0.3 NA. Procedure NA at night. Helicopter visibility reduction below 1 SM NA.</p> | <p>MISSED APPROACH: Climbing left turn to 4000 direct PIHIV and hold.</p> |
|--------------------------------------|---|--|

| | | |
|--|---------------------------------------|---------------------|
| <p>ALBANY APP CON 132.825 307.2</p> | <p>UNICOM 122.8 (CTAF)</p> | <p>121.6</p> |
|--|---------------------------------------|---------------------|



| | |
|----------|----------|
| ELEV 739 | TDZE 739 |
|----------|----------|

| CATEGORY | A | B | C | D |
|----------|---------------------------|---------------------------|---|----|
| LP MDA | 1840-1¼ 1101 (1200-1¼) | 1840-1½ 1101 (1200-1½) | | NA |
| LNAV MDA | 1840-1¼ 1101 (1200-1¼) | 1840-1½ 1101 (1200-1½) | | NA |
| CIRCLING | 1840-1¼ 1101 (1200-1¼) | 1840-1½ 1101 (1200-1½) | | NA |



NE-1, 14 MAY 2026 to 11 JUN 2026

NE-1, 14 MAY 2026 to 11 JUN 2026