

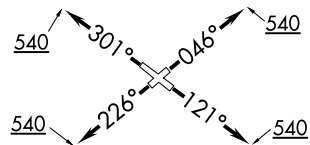
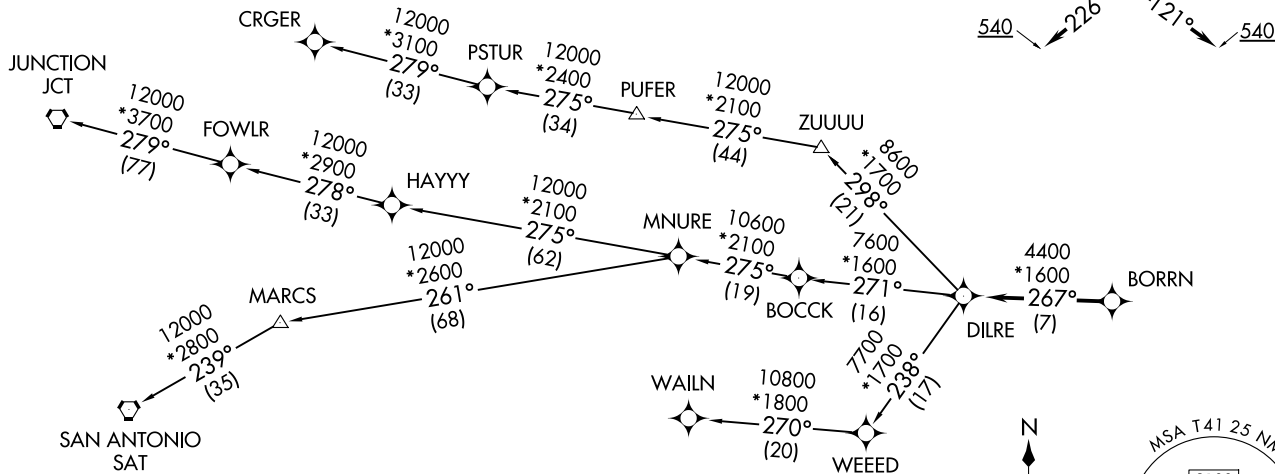
RNAV 1 - DME/DME/IRU or GPS.

RADAR required.

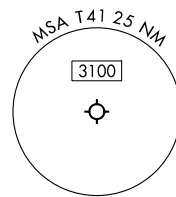
**TOP ALTITUDE:
ASSIGNED BY ATC**

TAKEOFF MINIMUMS

Rwys 5, 12, 23, 30: Standard with minimum climb of 500'/NM to 540.



NOTE: CRGER-TRANSITION ATC assigned only for aircraft departing 54T, AXH, EFD, GLS, HPY, IWS, LBX, LVJ, SGR, TME, T00, T41.



NOTE: Chart not to scale.

(CONTINUED ON FOLLOWING PAGE)

BORRN SIX DEPARTURE (RNAV)
(BORRN6.BORRN) 30NOV23

LA PORTE, TEXAS
LA PORTE MUNI (T41)

(BORRN6.BORRN) 25051
BORRN SIX DEPARTURE (RNAV)

LA-5433 (FAA)

LA PORTE MUNI (T41)
LA PORTE, TEXAS

CTAF
122.7
CLNIC DEL
125.6
HOUSTON DEP CON
134.45 284.0

BORRN SIX DEPARTURE (RNAV)



DEPARTURE ROUTE DESCRIPTION

TAKEOFF RUNWAY 5: Climb on heading 046° to 540, for RADAR vectors to BORRN, thence. . . .

TAKEOFF RUNWAY 12: Climb on heading 121° to 540, for RADAR vectors to BORRN, thence. . . .

TAKEOFF RUNWAY 23: Climb on heading 226° to 540, for RADAR vectors to BORRN, thence. . . .

TAKEOFF RUNWAY 30: Climb on heading 301° to 540, for RADAR vectors to BORRN, thence. . . .

. . . .on track 267° to DILRE, then on (transition). Maintain ATC assigned altitude. Expect filed altitude 10 minutes after departure.

CRGER TRANSITION (BORRN6.CRGER)

JUNCTION TRANSITION (BORRN6.JCT)

MNURE TRANSITION (BORRN6.MNURE)

SAN ANTONIO TRANSITION (BORRN6.SAT)

WAILN TRANSITION (BORRN6.WAILN)

SC-5, 14 MAY 2026 to 11 JUN 2026

SC-5, 14 MAY 2026 to 11 JUN 2026