

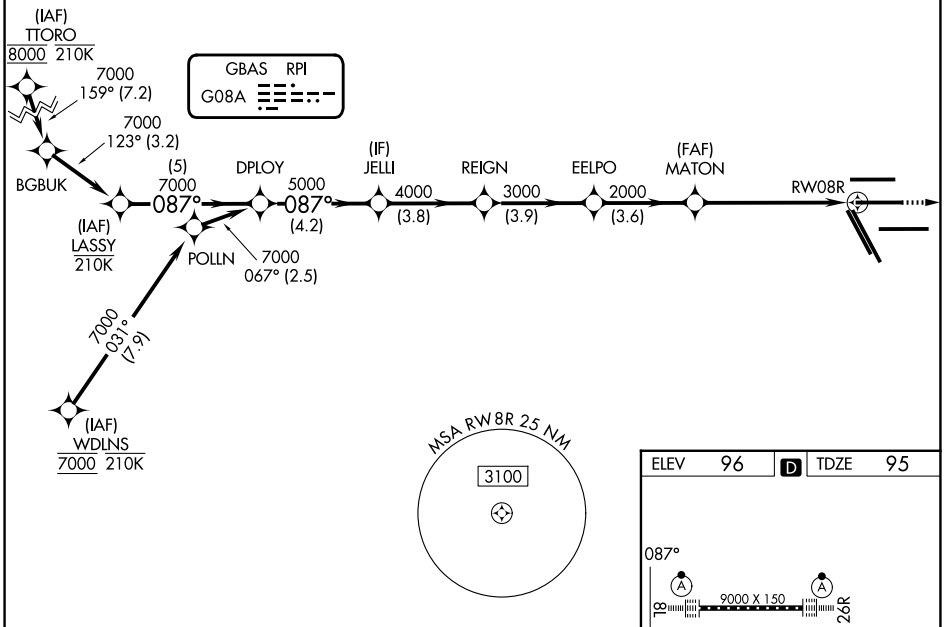
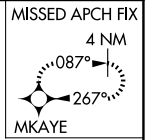
GBAS CH 20251 G08A	APP CRS 087°	Rwy Ldg TDZE Apt Elev	9402 95 96
--	------------------------	-----------------------------	---------------------------------------

GLS RWY 8R

GEORGE BUSH INTCNL/HOUSTON (IAH)

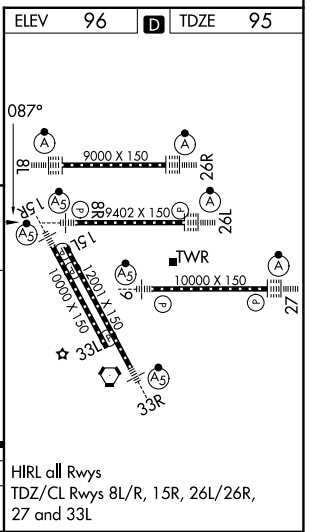
RNP APCH - GPS.		MALSRL 	MISSED APPROACH: Climb to 3000 direct MKAYE and hold.
NA	Simultaneous approach authorized. Use of FD or AP required during simultaneous operations. Autopilot coupled approach NA below 295.		

D-ATIS 124.05	HOUSTON APP CON 120.05 379.1 E 124.35 316.15 W	HOUSTON TOWER 125.35 290.2	GND CON 118.575
-------------------------	--	--------------------------------------	---------------------------



VGSI and GLS glidepath not coincident (VGSI Angle 3.00/TCH 72).

LASSY	DPLY	JELLI	REIGN	EELPO	MATON	RW08R
7000	7000	5000	4000	3000	2000	2000
GP 3.00°	087°	087°				
TCH 55						
	5 NM	4.2 NM	3.8 NM	3.9 NM	3.6 NM	5.8 NM
CATEGORY	A	B	C	D		
GLS DA	295/18		200 (200-1/2)			



SC-5, 14 MAY 2026 to 11 JUN 2026

SC-5, 14 MAY 2026 to 11 JUN 2026