

| | | |
|---------|----------|-----|
| APP CRS | Rwy Ldg | N/A |
| 050° | TDZE | N/A |
| | Apt Elev | 926 |

RNAV (GPS)-A

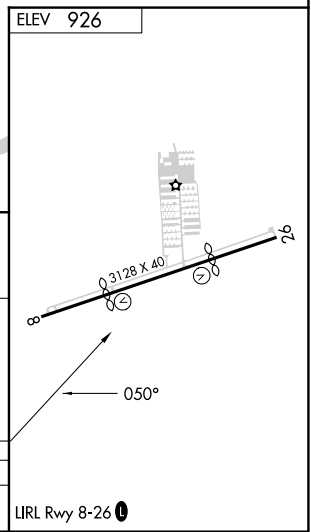
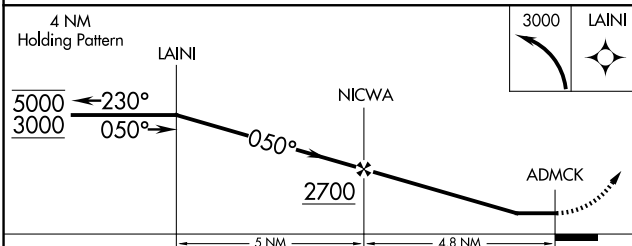
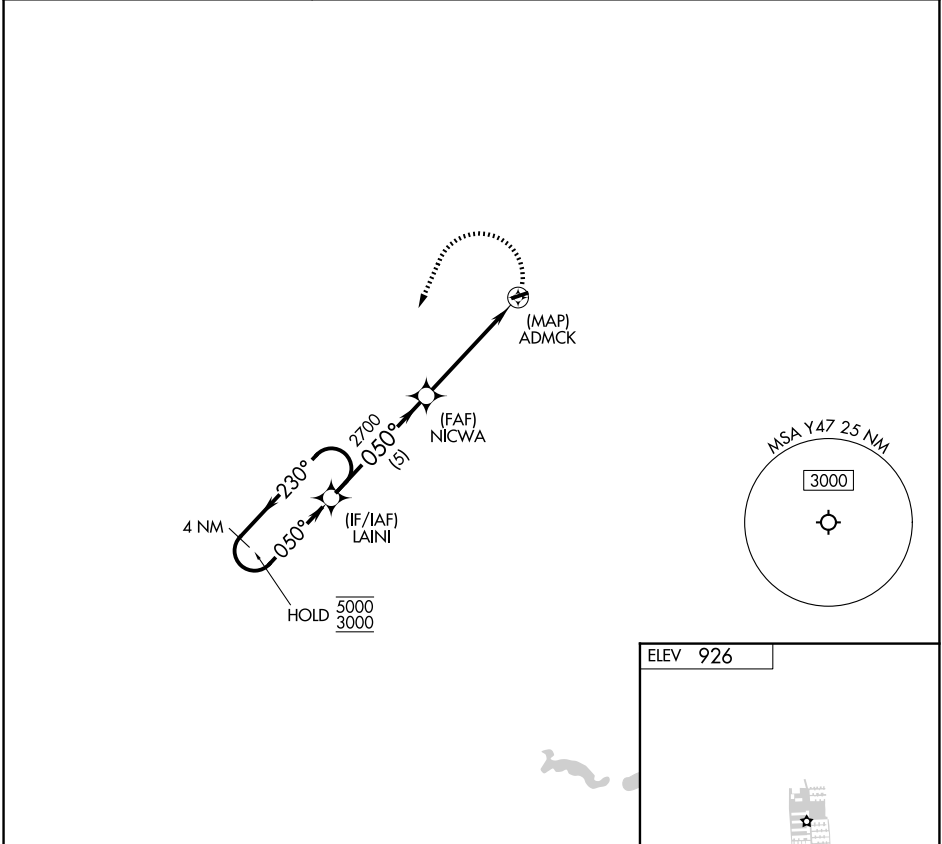
OAKLAND SOUTHWEST (Y47)

RNP APCH - GPS.

▼ Procedure NA at night. Rwy 8 and 26 helicopter visibility reduction below 1 SM NA. Use Detroit Willow Run altimeter setting.

MISSED APPROACH: Climbing left turn to 3000 direct LAINI and hold.

| | | |
|----------------------------|--|---------------------------------|
| YIP ASOS 127.425 | DETROIT APP CON 132.35 284.0 | UNICOM 122.7 (CTAF) 0 |
|----------------------------|--|---------------------------------|



| | | | | |
|----------|-----------------------|-----------------------|----|---|
| CATEGORY | A | B | C | D |
| CIRCLING | 1540-1 614 (700-1) | 1580-1 654 (700-1) | NA | |

EC-1, 14 MAY 2026 to 11 JUN 2026

EC-1, 14 MAY 2026 to 11 JUN 2026