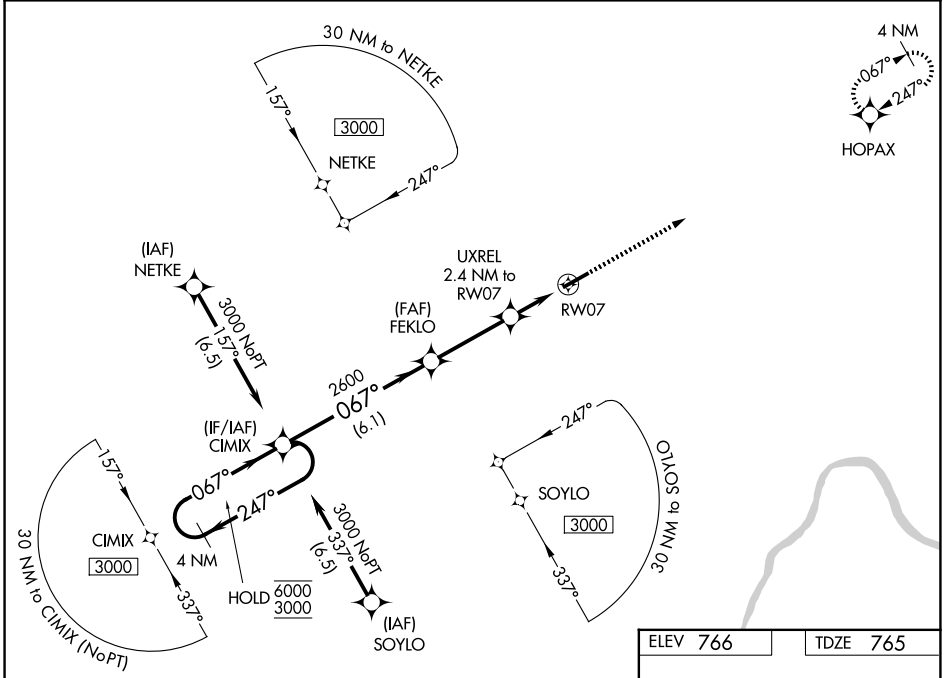


WAAS CH <b>81916</b> <b>W07A</b>	APP CRS <b>067°</b>	Rwy Ldg <b>4700</b> TDZE <b>765</b> Apt Elev <b>766</b>
--	------------------------	---

# RNAV (GPS) RWY 7

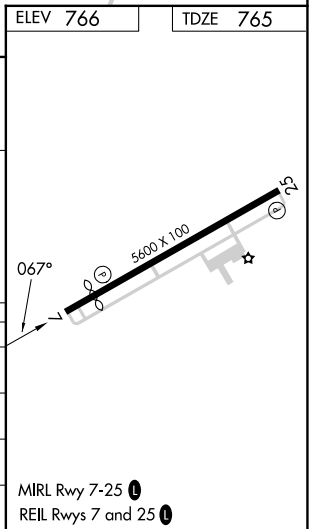
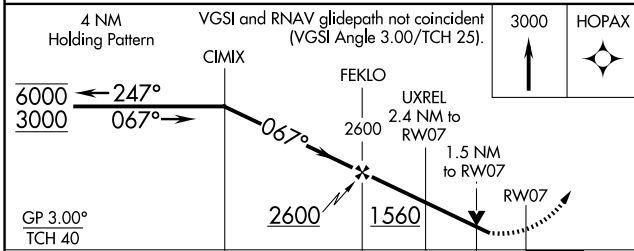
OHIO UNIVERSITY (UNI)

RNP APCH - GPS.			MISSED APPROACH: Climb to 3000 direct HOPAX and hold.
For uncompensated Baro-VNAV systems, LNAV/VNAV NA below -16°C or above 54°C. Rwy 7 helicopter visibility reduction below 3/4 SM NA.			
AWOS-3 <b>128.325</b>	HUNTINGTON APP CON <b>120.95 270.1</b>	CLNC DEL <b>120.95</b>	UNICOM <b>123.075 (CTAF) 1</b>



EC-2, 14 MAY 2026 to 11 JUN 2026

EC-2, 14 MAY 2026 to 11 JUN 2026



CATEGORY	A	B	C	D
LPV DA		1184-1½	419 (500-1½)	
LNAV/VNAV DA		1202-1½	437 (500-1½)	
LNAV MDA	1280-1	515 (600-1)	1280-1⅜	515 (600-1⅜)
CIRCLING	1340-1 574 (600-1)	1380-1 614 (700-1)	1420-1¾ 654 (700-1¾)	1520-2½ 754 (800-2½)