

APP CRS <b>276°</b>	Rwy Ldg <b>4400</b>
	TDZE <b>1004</b>
	Apt Elev <b>1004</b>

# RNAV (GPS) RWY 28

KENDALLVILLE MUNI (C62)

RNP APCH - GPS.

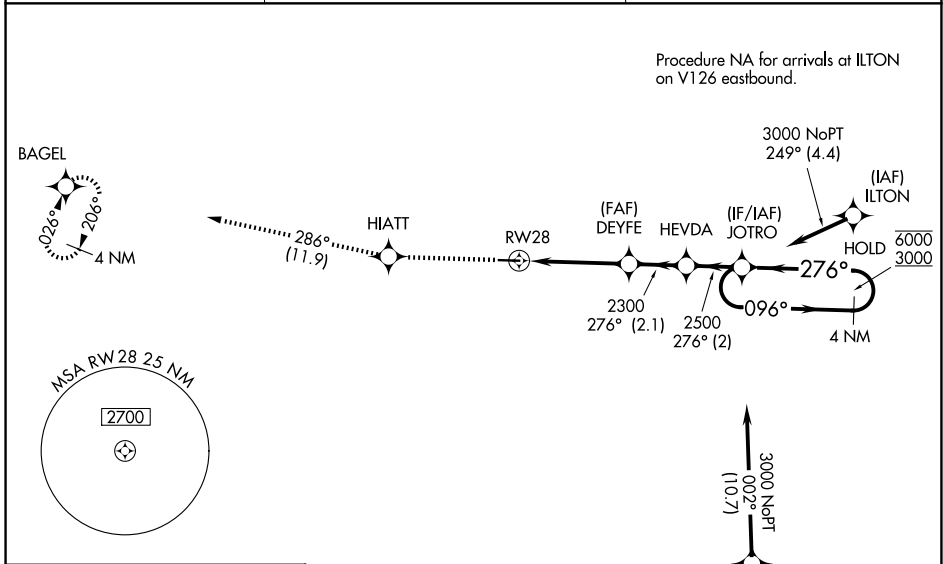
**⚠** Rwy 28 helicopter visibility reduction below 1 SM NA. Straight-in Rwy 28 NA at night, Circling Rwy 28 NA at night. When local altimeter setting not received, use GWB altimeter setting and increase all MDAs 60 feet.

**MISSED APPROACH:** Climb to 3000 direct HIATT and on track 286° to BAGEL and hold.

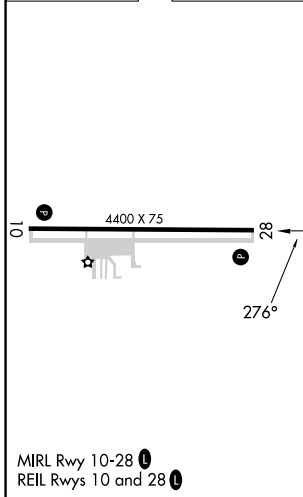
AWOS-3P  
**119.925**

FORT WAYNE APP CON  
**127.2 284.6**

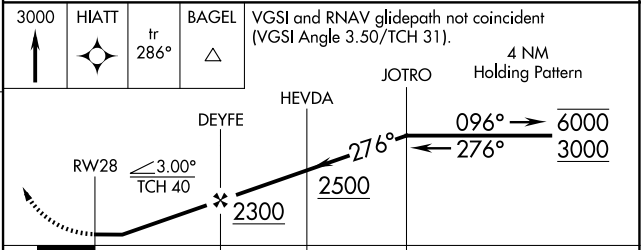
UNICOM  
**122.8 (CTAF) 1**



ELEV 1004    TDZE 1004



Procedure NA for arrivals at GAREN on V8 eastbound.



CATEGORY	A	B	C	D
LNAV MDA	1520-1	516 (600-1)		NA
CIRCLING	1600-1	596 (600-1)		NA

EC-2, 14 MAY 2026 to 11 JUN 2026

EC-2, 14 MAY 2026 to 11 JUN 2026