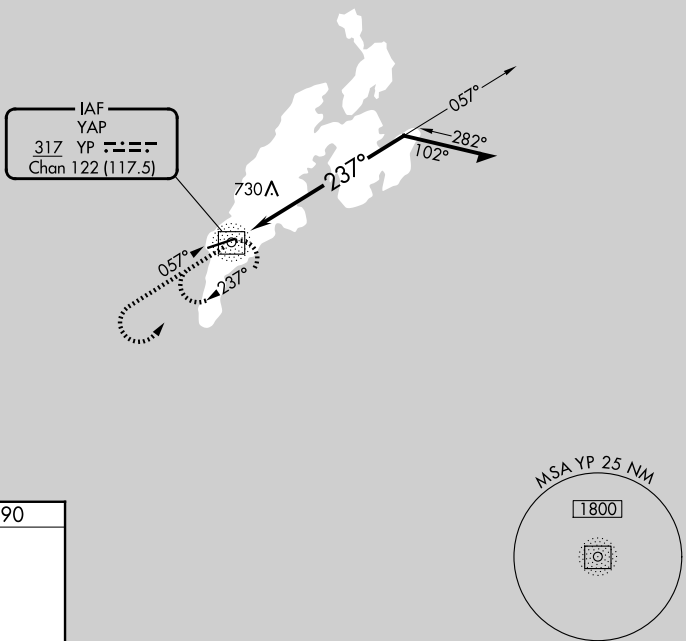


NDB/DME YP <b>317</b> Chan <b>122 (117.5)</b>	APP CRS <b>237°</b>	Rwy Ldg <b>6000</b> TDZE <b>90</b> Apt Elev <b>91</b>
-----------------------------------------------------	------------------------	-------------------------------------------------------------

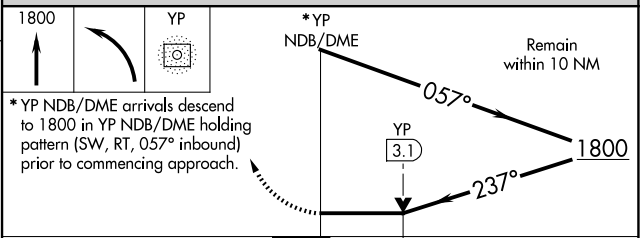
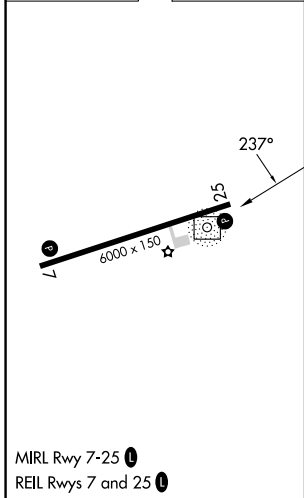
**NDB RWY 25**  
YAP INTL (T11)(PTYA)

<p><b>⚠</b> Circling NA north of Rwy 7-25. No controlled airspace below 5500.</p>	<p><b>MISSED APPROACH:</b> Climb to 1800 then left turn direct YP NDB/DME and hold.</p>
---------------------------------------------------------------------------------------	-----------------------------------------------------------------------------------------

YAP RADIO  
**123.6** (CTAF)



ELEV 91	TDZE 90
---------	---------



CATEGORY	A	B	C	D
S-25	1080-1¼ 990 (1000-1¼)	1080-1½ 990 (1000-1½)	1080-3	990 (1000-3)
CIRCLING	1080-1¼ 989 (1000-1¼)	1080-1½ 989 (1000-1½)	1080-3	989 (1000-3)